

# Fig.531 Air pressure filter

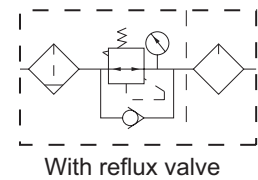
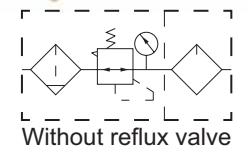
## Specifications

- Fast and reliable fixed connection, easy installation and usage.
- Stable adjustment of pressure, high precision of repetition.
- High efficiency of removing water and solid particles.
- Three different ways of draining water for choice: Manual, Auto and DP.

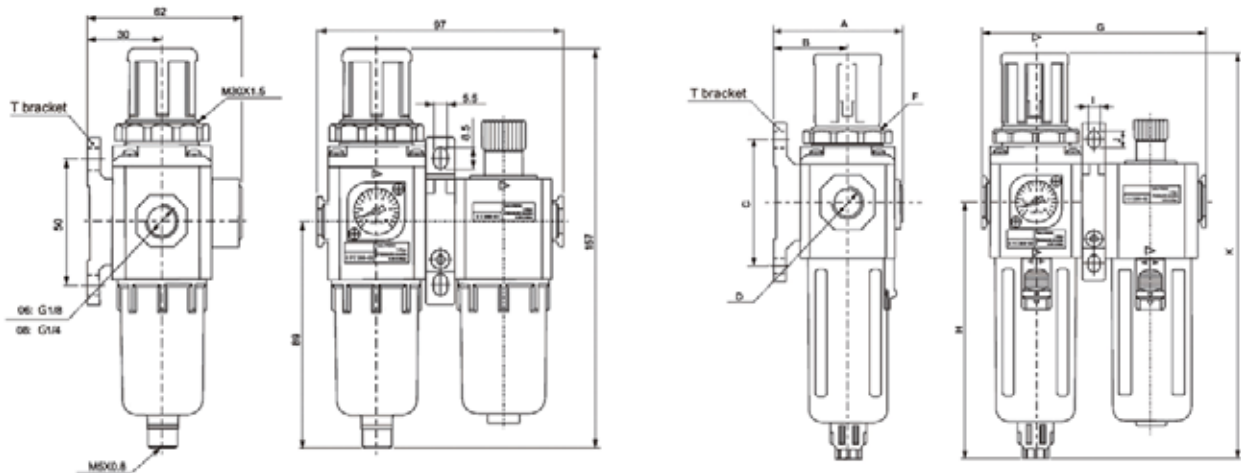
Item \ Type	200-06	200-08	300-08	300-10	300-15	400-10	400-15
Operating medium	Air						
Joint pipe bore *	G1/8"	G1/4"	G1/4"	G3/8"	G1/2"	G3/8"	G1/2"
Filter element roughness	40µm & 5µm						
Adjustable pressure range	0.15~0.9MPa						
Max. adjustable pressure **	1.0MPa						
Pressure resistance ensurance	1.5MPa						
Operating temperature range	5~60°C						
Capacity of filter cup	10CC		40CC			80CC	
Capacity of feed cup	25CC		75CC			160CC	
Suggested lubricant	ISO VG 32 or same grade oil						
Weight	425g		980g			1950g	

\* PT, NPT are available on request.

\*\* Max adjustable pressure for low pressure type: 0.4MPa.



## Dimensions



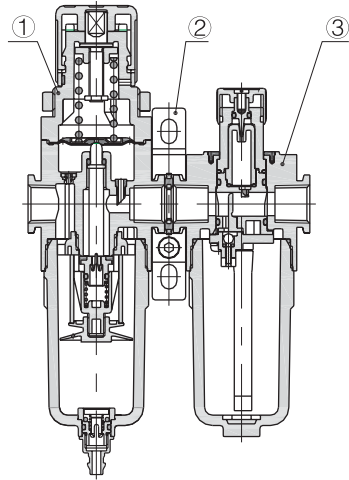
GFC200

GFC300, GFC400

Type	A	B	C	D	F	G	H	I	J	K
200-06	62	30	50	G1/8	M30×1.5	97	89	5.5	8.5	157
200-08	62	30	50	G1/4	M30×1.5	97	89	5.5	8.5	157
300-08	72	41.5	70	G1/4	M40×1.5	124	143	6.5	9	225.5
300-10	72	41.5	70	G3/8	M40×1.5	124	143	6.5	9	225.5
300-15	72	41.5	70	G1/2	M40×1.5	124	143	6.5	9	225.5
400-10	85.5	50	80	G3/8	M55×2.0	164	165.5	8.6	12	269.5
400-15	85.5	50	80	G1/2	M55×2.0	164	165.5	8.6	12	269.5

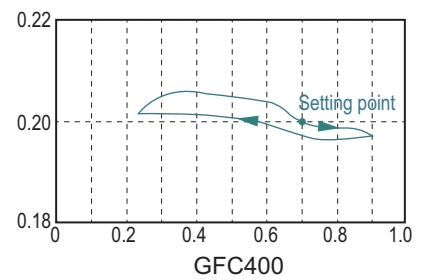
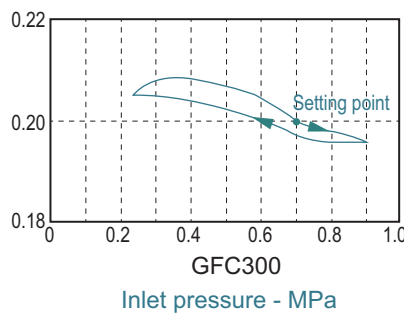
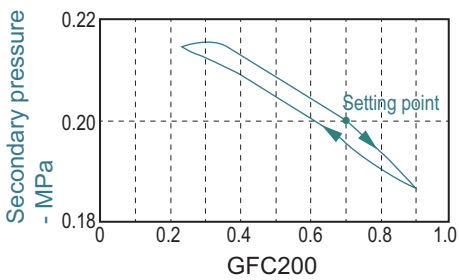
# Fig.531 Air pressure filter

## Main parts

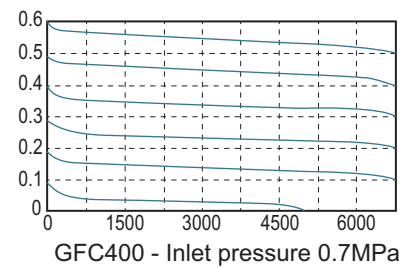
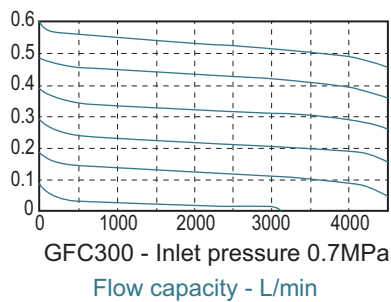
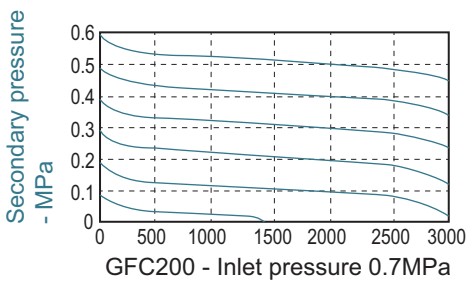


No.	Part name
1	Pressure regulating part
2	T bracket
3	Oil feeder

## Pressure characteristic



## Flow capacity



# Coreline

The contents of this catalogue are confidential and proprietary to Coreline, we reserve the right to change the specifications without any notice.

## CORELINE VALVE CO., LTD.

Add: No.210 Xinyuan Road, Ehu Industrial Park, 214116 Wuxi, China

Phone: +86 510 68870699

Fax : +86 510 80257770

Http: // www.coreline.dk

E-mail : mail@coreline-valve.cn