

Fig.530 Air pressure regulator

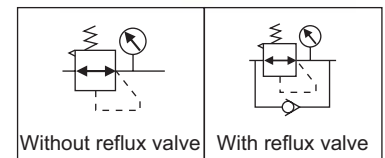
Specifications

- Embedded gauge save space of installation.
- Press-in self-locking device prevent changes causing by external disturbance during pressure regulating.
- Stable adjustment of pressure, high precision of repetition.
- Plate type installation, with fixing bracket installation for option.
- Low pressure type is available, with max. regulating pressure of 0.4MPa.

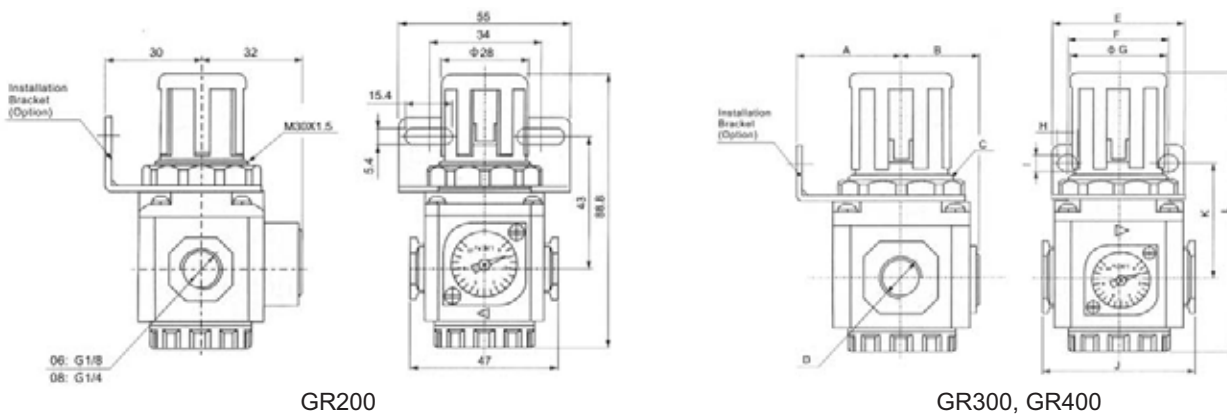
Item	Type	200-06	200-08	300-08	300-10	300-15	400-10	400-15
Operating medium		Air						
Joint pipe bore *		G1/8"	G1/4"	G1/4"	G3/8"	G1/2"	G3/8"	G1/2"
Adjustable pressure range		0.15~0.9MPa						
Max. adjustable pressure **		1.0MPa						
Pressure resistance ensurance		1.5MPa						
Operating temperature range		-20~70°C						
Weight		169g		350g			720g	

* PT, NPT are available on request.

** Max adjustable pressure for low pressure type: 0.4MPa.



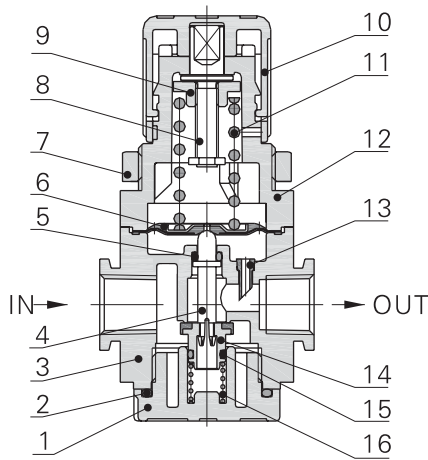
Dimensions



Type	A	B	C	D	E	F	G	H	I	J	K	L
200-06	30	32	M30×1.5	G1/8	55	34	28	15.4	5.4	47	43	88.8
200-08	62	30	M30×1.5	G1/4	55	34	28	15.4	5.4	47	43	88.8
300-08	41	31	M40×1.5	G1/4	53	40	38	8	6.5	60	46	112.5
300-10	41	31	M40×1.5	G3/8	53	40	38	8	6.5	60	46	112.5
300-15	41	31	M40×1.5	G1/2	53	40	38	8	6.5	60	46	112.5
400-10	50	40	M55×2.0	G3/8	72	55	52	11	8.5	80	53	140.5
400-15	50	40	M55×2.0	G1/2	72	55	52	11	8.5	80	53	140.5

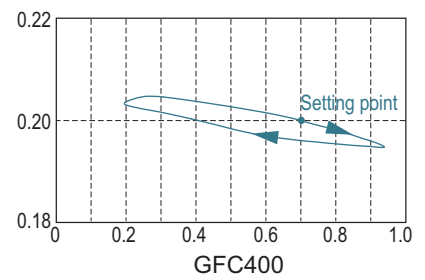
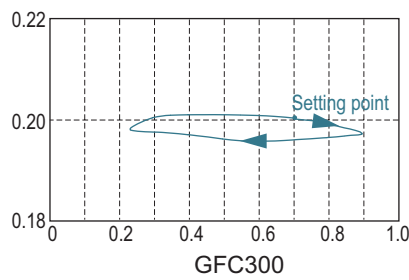
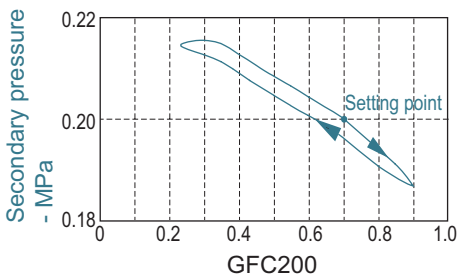
Fig.530 Air pressure regulator

Material part list

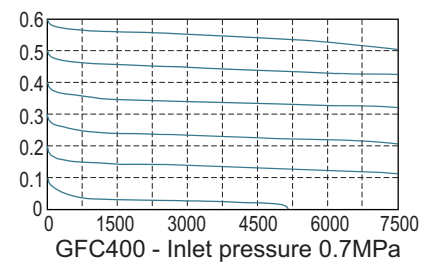
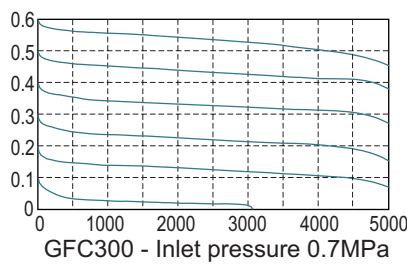
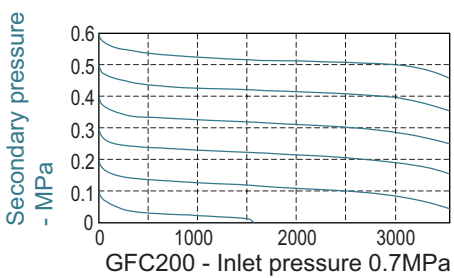


No.	Part name	Material
1	Cap	Aluminium alloy
2	O-ring	NBR
3	Regulating body	Aluminium alloy
4	Regulating limb	Brass
5	O-ring	NBR
6	Main regulating diaphragm	SS304+rubber
7	Fixing-loop cap	Aluminium alloy
8	Main regulating stem	Steel
9	Hexangular cap	Steel
10	Regulating button	POM
11	Spring	SWC
12	Regulating seat	Aluminium alloy
13	Feedback tube	POM
14	Plug	Brass+rubber
15	O-ring	NBR
16	Spring	Stainless steel

Pressure characteristic



Flow capacity



Coreline

The contents of this catalogue are confidential and proprietary to Coreline, we reserve the right to change the specifications without any notice.

CORELINE VALVE CO., LTD.

Add: No.210 Xinyuan Road, Ehu Industrial Park, 214116 Wuxi, China

Phone: +86 510 68870699

Fax : +86 510 80257770

Http: // www.coreline.dk

E-mail : mail@coreline-valve.cn