

## 2-way Pilot operated solenoid valve

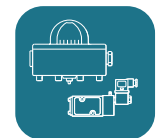
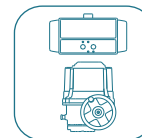
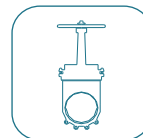
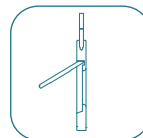
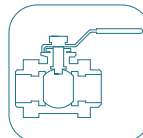
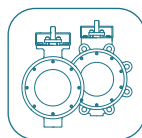
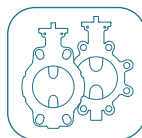


Fig.48C

English

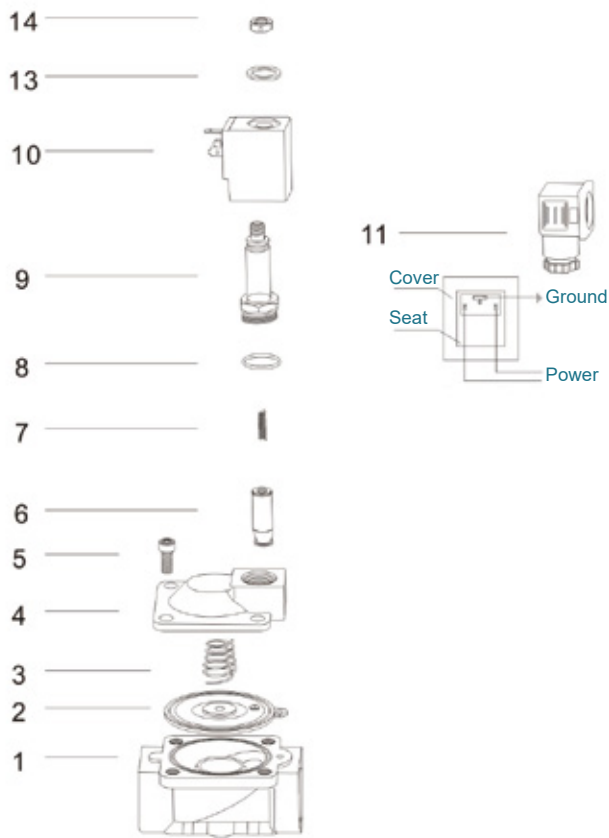


[www.coreline.dk](http://www.coreline.dk)



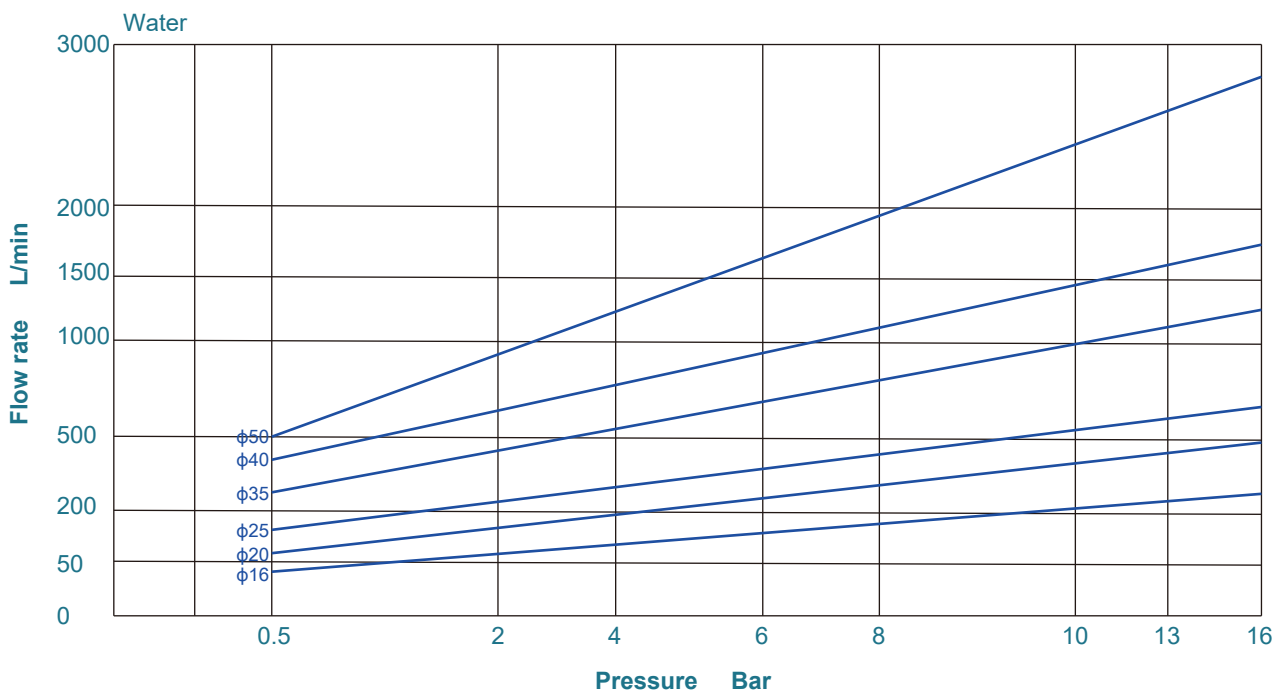
# Fig.48C 2-way NC solenoid valve

## Part list - 2-way NC solenoid valve



Item No.	Part
1	Valve body
2	Diaphragm
3	Diaphragm spring
4	Valve cover
5	Bolts
6	Plunger assembly
7	Plunger spring
8	O-ring
9	Plunger tube assembly
10	Coil
11	Plug
12	Gasket
13	Locknut

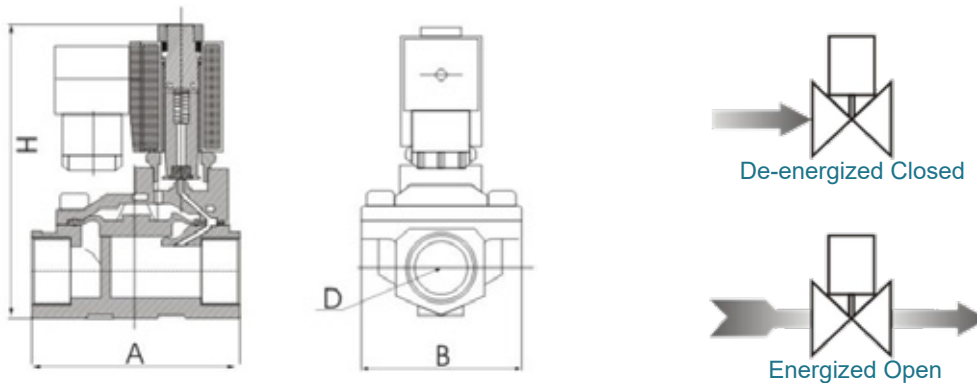
## Flow chart



# Fig.48C 2-way NC solenoid valve

## Specifications - 2-way NC solenoid valve

- 2-way normally closed solenoid valve: closed when de-energized, open when energized.
- Body material in stainless steel 316.
- Max. Allowable pressure 16bar; ambient temperature 0~65°C.
- Serialized products, small in size, large flow rate, widely use.
- Flow as the arrow, mounts in any position; Best position is solenoid vertical and upright direction.
- Voltage: 220VAC / 230VAC / 240VAC / 110VAC / 24VAC 50 / 60HZ 24VDC / 12VDC;  
Voltage tolerance: +10% to -10% applicable voltage.
- This series valves are offered NBR, VITON, EPDM etc. for seals and diaphragm to provide on-off control of various medium.



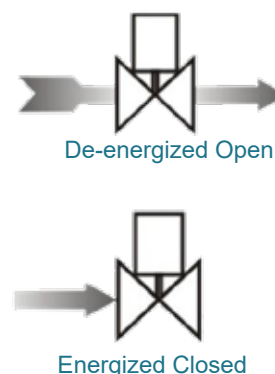
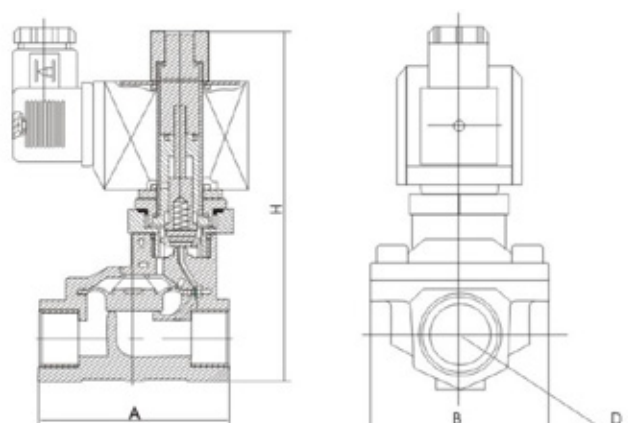
## Dimensions - 2-way NC solenoid valve

SIZE	Orifice [mm]	Cv	Operating differential pressure [bar]				Max. medium Temp.	Coil type	Power consumption		Coil class	External Dimensions AxBxH	Weight [kg]
			Min.		Max.				VA 220VAC	W 24VDC			
			Medium	Air Gas	Water Hot water Liquids	Light oil ≤20CS1							
3/8"	13	4.5	0.5	16	16	13	80	D	22	13	F	66X48X107	0.75
	13	4.5	0.5	16	16		130	D	22	13	F	66X48X107	0.75
	13	4.5	0.5	16	16	13	120	D	22	13	F	66X48X107	0.75
1/2"	13	4.5	0.5	16	16	13	80	D	22	13	F	66X48X107	0.7
	13	4.5	0.5	16	16		130	D	22	13	F	66X48X107	0.7
	13	4.5	0.5	16	16	13	120	D	22	13	F	66X48X107	0.7
3/4"	20	7.6	0.5	16	16	13	80	D	22	13	F	75X58X112	0.9
	20	7.6	0.5	16	16		130	D	22	13	F	75X58X112	0.9
	20	7.6	0.5	16	16	13	120	D	22	13	F	75X58X112	0.9
1"	25	12	0.5	16	16	13	80	D	22	13	F	96X70X131	1.3
	25	12	0.5	16	16		130	D	22	13	F	96X70X131	1.3
	25	12	0.5	16	16	13	120	D	22	13	F	96X70X131	1.3
1 1/4"	35	22	0.5	16	16	13	80	D	22	13	F	131X96X146	2.6
	35	22	0.5	16	16		130	D	22	13	F	131X96X146	2.6
	35	22	0.5	16	16	13	120	D	22	13	F	131X96X146	2.6
1 1/2"	40	30	0.5	16	16	13	80	D	22	13	F	131X96X146	2.5
	40	30	0.5	16	16		130	D	22	13	F	131X96X146	2.5
	40	30	0.5	16	16	13	120	D	22	13	F	131X96X146	2.5
2"	50	48	0.5	16	16	13	80	D	22	13	F	165X120X167	4.4
	50	48	0.5	16	16		130	D	22	13	F	165X120X167	4.4
	50	48	0.5	16	16	13	120	D	22	13	F	165X120X167	4.4

# Fig.48C 2-way NO solenoid valve

## Specifications - 2-way NO solenoid valve

- 2-way normally open solenoid valve: open when de-energized, closed when energized.
- Body material in stainless steel 316.
- Max. allowable pressure 16bar; ambient temperature 0~65°C.
- Serialized products, small in size, large flow rate, widely use.
- Flow as the arrow, mounts in any position; Best position is Solenoid vertical and upright direction.
- Voltage: 220VAC/230VAC/240VAC/110VAC/24VAC 50/60HZ 24VDC/12VDC;  
Voltage Tolerance: +10 % to -10% applicable voltage.
- This series valves are offered NBR, VITON, EPDM etc. for seals and diaphragm to provide on-off control of various medium.



## Dimensions - 2-way NO solenoid valve

SIZE	Orifice [mm]	Cv	Operating differential pressure [bar]				Max. medium Temp.	Coil type	Power consumption		Coil class	External Dimensions AxBxH	Weight [kg]
			Min. Medium	Max.					VA 220VAC	W 24VDC			
				Air Gas	Water Hot water Liquids	Light oil ≤20CS1							
3/8"	13	4.5	0.5	13	13	8	80	D	20	20	F	66X48X124	0.95
	13	4.5	0.5	13	13		120	D	20	20	F	66X48X124	0.95
	13	4.5	0.5	13	13	8	120	D	20	20	F	66X48X124	0.95
1/2"	13	4.5	0.5	13	13	8	80	D	20	20	F	66X48X124	0.9
	13	4.5	0.5	13	13		120	D	20	20	F	66X48X124	0.9
	13	4.5	0.5	13	13	8	120	D	20	20	F	66X48X124	0.9
3/4"	20	7.6	0.5	13	13	8	80	D	20	20	F	75X58X130	1.1
	20	7.6	0.5	13	13		120	D	20	20	F	75X58X130	1.1
	20	7.6	0.5	13	13	8	120	D	20	20	F	75X58X130	1.1
1"	25	12	0.5	13	13	8	80	D	20	20	F	96X70X143	1.5
	25	12	0.5	13	13		120	D	20	20	F	96X70X143	1.5
	25	12	0.5	13	13	8	120	D	20	20	F	96X70X143	1.5
1 1/4"	35	22	0.5	8	8	8	80	D	20	20	F	131X96X158	2.8
	35	22	0.5	8	8		120	D	20	20	F	131X96X158	2.8
	35	22	0.5	8	8	8	120	D	20	20	F	131X96X158	2.8
1 1/2"	40	30	0.5	8	8	8	80	D	20	20	F	131X96X158	2.7
	40	30	0.5	8	8		120	D	20	20	F	131X96X158	2.7
	40	30	0.5	8	8	8	120	D	20	20	F	131X96X158	2.7
2"	50	48	0.5	8	8	8	80	D	20	20	F	165X120X179	4.6
	50	48	0.5	8	8		120	D	20	20	F	165X120X179	4.6
	50	48	0.5	8	8	8	120	D	20	20	F	165X120X179	4.6

# Coreline

The contents of this catalogue are confidential and proprietary to Coreline, we reserve the right to change the specifications without any notice.

## CORELINE VALVE CO., LTD.

Add: No.210 Xinyuan Road, Ehu Industrial Park, 214116 Wuxi, China

Phone: +86 510 8852 5336

Http: // www.coreline.dk

E-mail : mail@coreline.cn