

3-Way thread ends ball valve

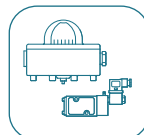
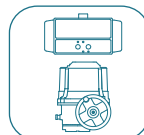
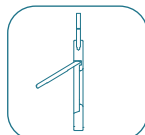
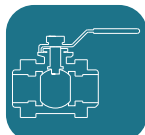
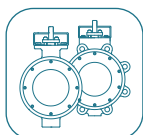
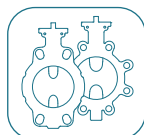


Fig.161

English



www.coreline.dk



General information, dimensions

Features

- **4 seats design** which allows input flow in all ends without the occurrence of bypass (leakage) behind the ball.
- **Traceability:** heat numbers on main parts of each valve. Material certificate EN10204-3.1 can be delivered on request.
- **ISO 5211 top flange** with square stem for direct mounting of actuator without using bracket or coupling.
- CE, ATEX, SIL approved.

General specification

Connection: Thread ends BSPP (standard)
Other threads available on request.

Port: L port, T port

Size range: 1/2" - 2"

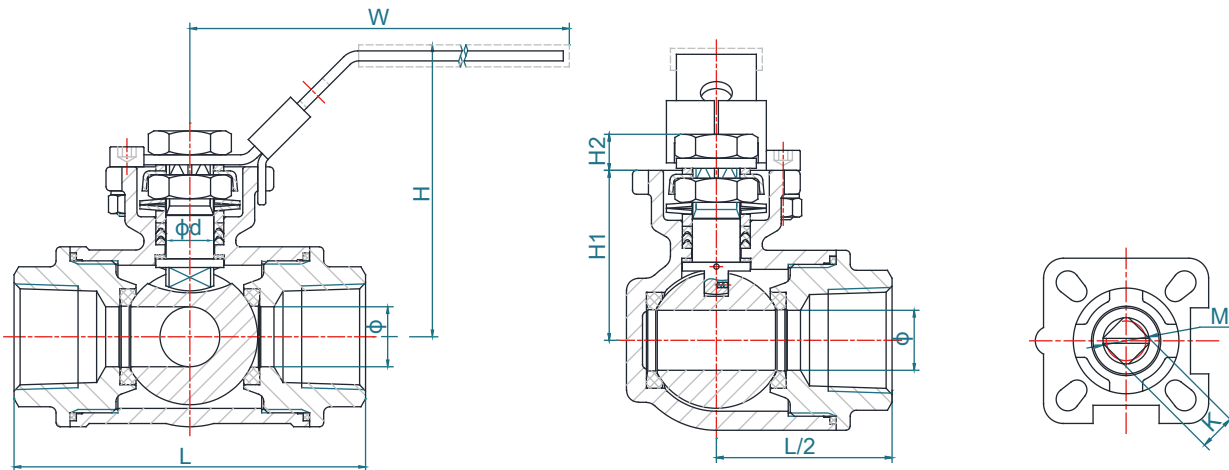
Pressure rating: 1000psi

Top flange: ISO5211



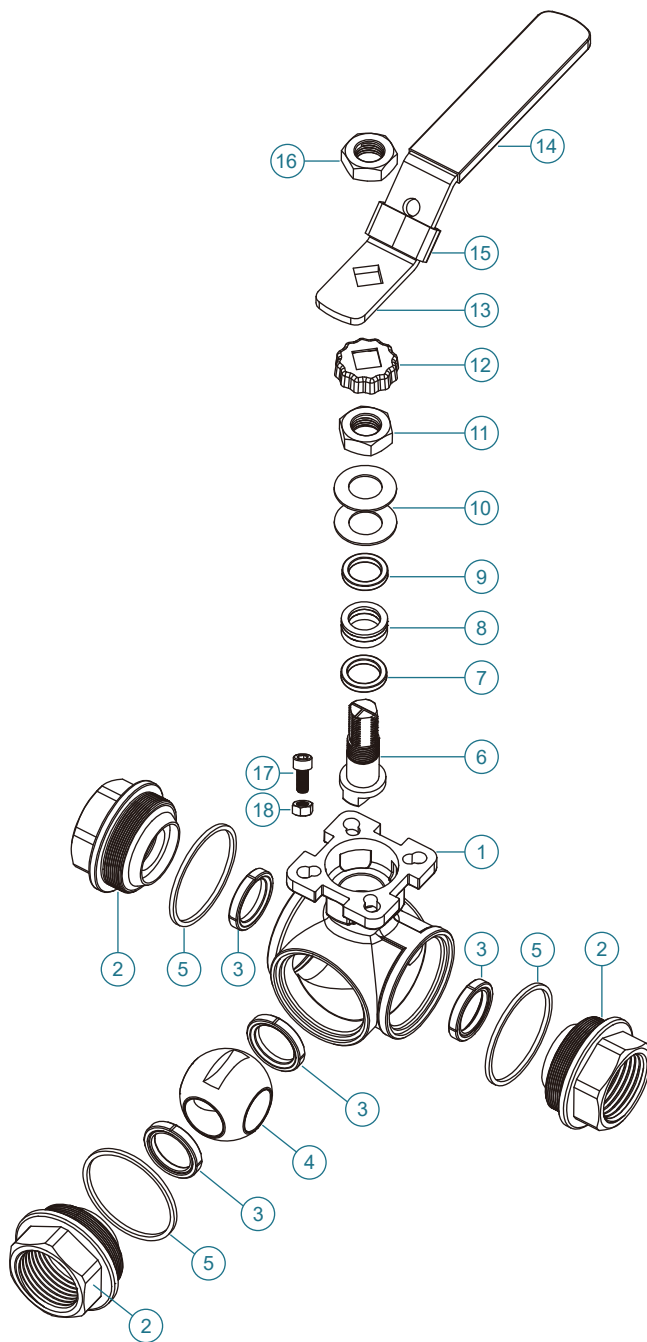
ATEX, CE, SIL and EU1935/2004 (European food approval) for Coreline ball valves.

Dimensions



SIZE		φ	H	L	d	H1	H2	W	ISO5211	K	M
INCH	DN										
1/2"	15	12	77	72	12	43	10	120	F03+F04	9	M12
3/4"	20	15	80	80	12	46	10	140	F03+F04	9	M12
1"	25	20	92	100	14	57	12	150	F04+F05	11	M14
1 1/4"	32	25	99	115	14	64	12	165	F04+F05	11	M14
1 1/2"	40	32	110	128	18	75	15	190	F05+F07	14	M18
2"	50	38	115	148	18	78	15	220	F05+F07	14	M18

Material part list



NO.	Part Name	Material	NO.	Part Name	Material
1	Body	A351 CF8M	10	Belleville washer	SS301
2	Cap	A351 CF8M	11	Stem nut	SS304
3	Seat	PTFE	12	Stop lock cap	SS304
4	Ball	SS316	13	Handle	SS304
5	Body gasket	PTFE	14	Handle sleeve	Vinyl
6	Stem	SS316	15	Handle lock	SS304
7	Stem sealing	PTFE	16	Handle lock nut	SS304
8	V-packing	PTFE	17	Stop bolt	SS304
9	Packing gland	SS304	18	Nut	SS304

Technical data, flow patterns

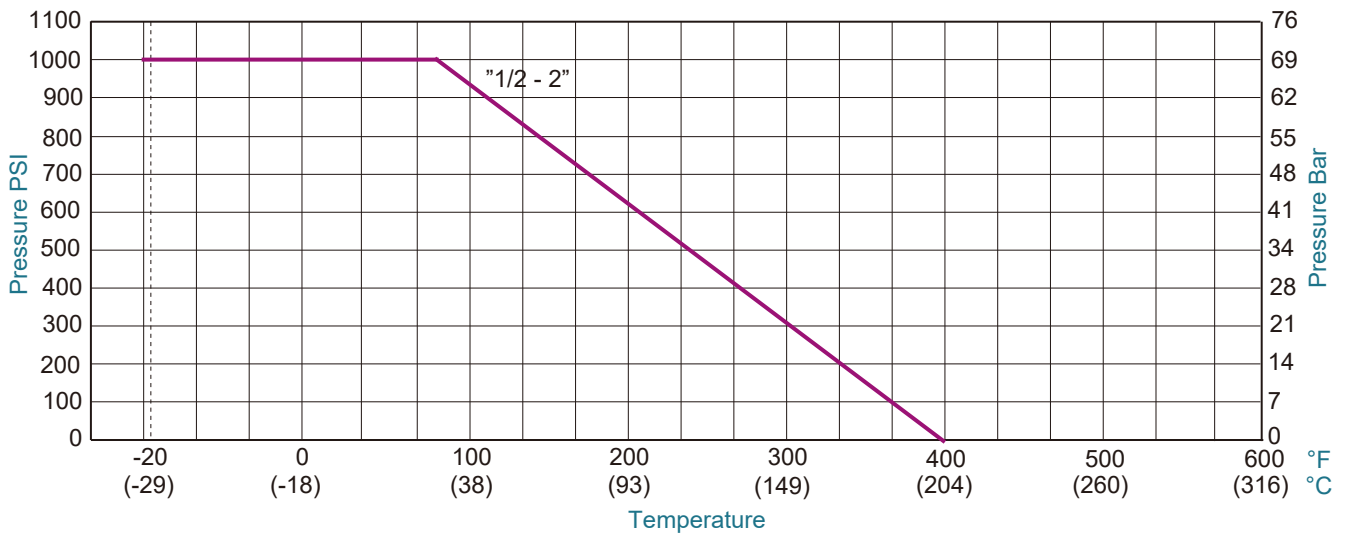
Technical data

SIZE		Torque ¹⁾ [Nm]	Kv ²⁾ [m ³ /h]		
INCH	DN		T port (Straight)	L port (Branch)	L port
1/2"	15	8.4	8	6	7
3/4"	20	10.8	11	7	9
1"	25	13.2	20	13	15
1 1/4"	32	24	28	18	26
1 1/2"	40	33.6	46	35	40
2"	50	42	70	45	58

1) Please consider a safety factor of 1.5 when sizing actuators.

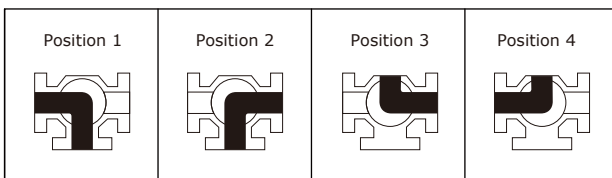
2) Kv-value rated flow coefficients (m³/h at 1 bar ΔP).

Pressure temperature curve

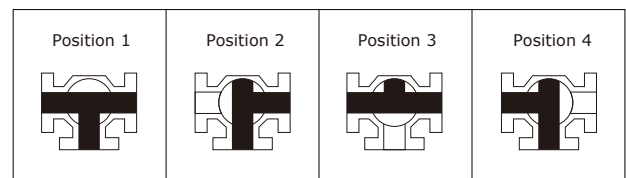


Flow patterns

3-Way L-Port



3-Way T-Port



Coreline

CORELINE VALVE CO., LTD.

The contents of this catalogue are confidential and proprietary to Coreline, we reserve the right to change the specifications without any notice.

Add: No.210 Xinyuan Road, Ehu Industrial Park, 214116 Wuxi, China

Phone: +86 510 8852 5336

Http: // www.coreline.dk

E-mail: mail@coreline.cn