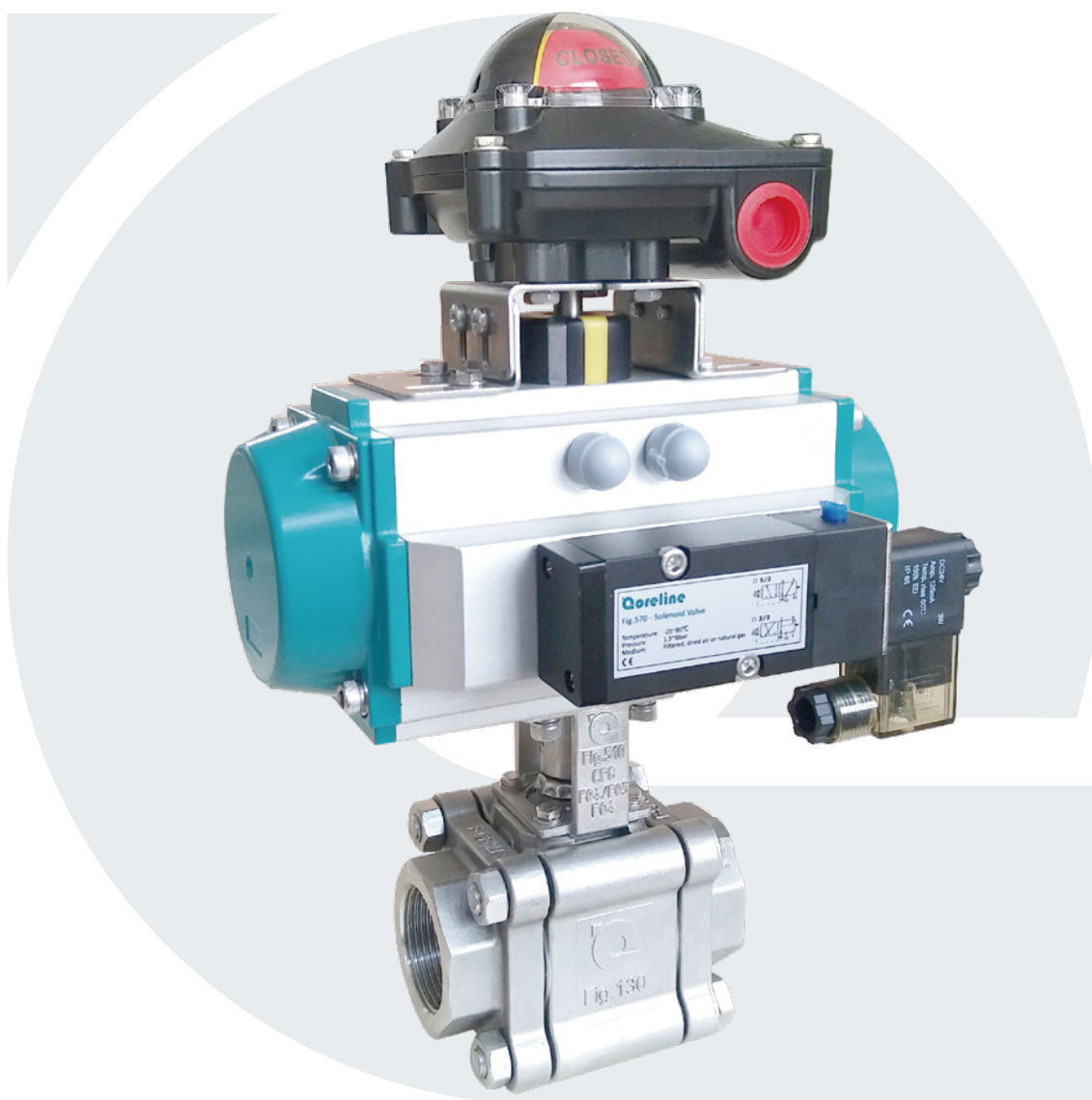
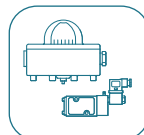
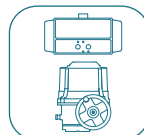
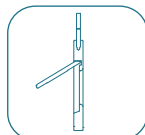
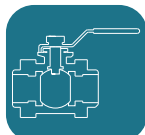
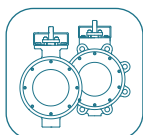
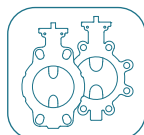


3PC Heavy duty ball valve

Fig.130



www.coreline.dk



General specifications

General specifications

Connection: Thread ends BSPP - ISO228/1
Butt weld ends - WCB: EN12627
CF3M: DIN2463 / SMS3008 / ISO1127
Socket weld ends - ASME B16.11

Size range: Full bore: 1/4" - 2"
Reduce bore: 1/2" - 2 1/2"

Pressure rating: 1/4" - 1": FB = 138bar / 2000psi
1 1/4" - 2": FB = 103bar / 1500psi
2 1/2": RB = 103bar / 1500psi

Body: Carbon steel
Stainless steel 316

Ball/stem: Stainless steel 316

Seat: PTFE with 25% carbon, RPTFE

Operation: Hand lever, pneumatic actuator, electric actuator



Index

page 3 Design features

page 4 Material part list

page 5 Dimensions

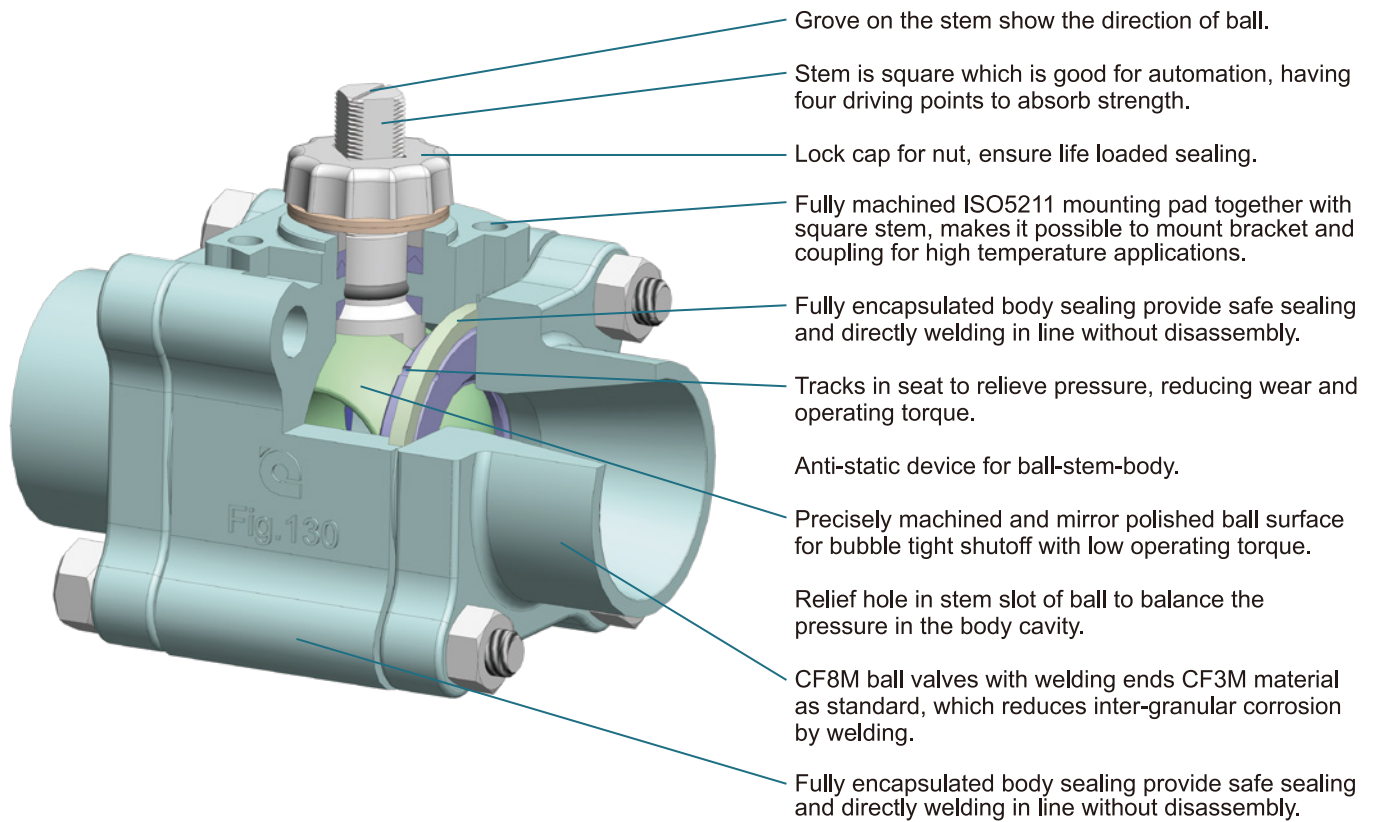
page 6 Technical data

page 7 Control ball valves, brackets

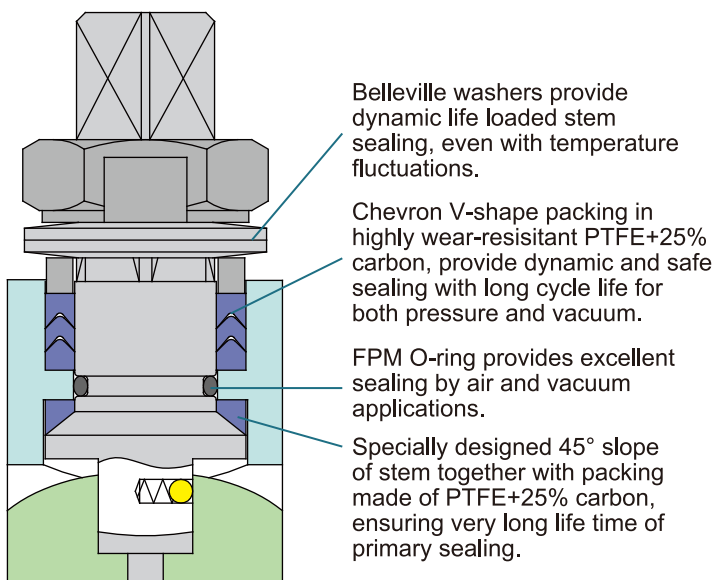
page 8 Actuator and accessories

Design features

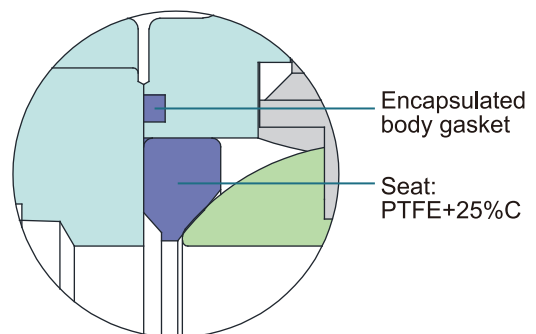
Design features



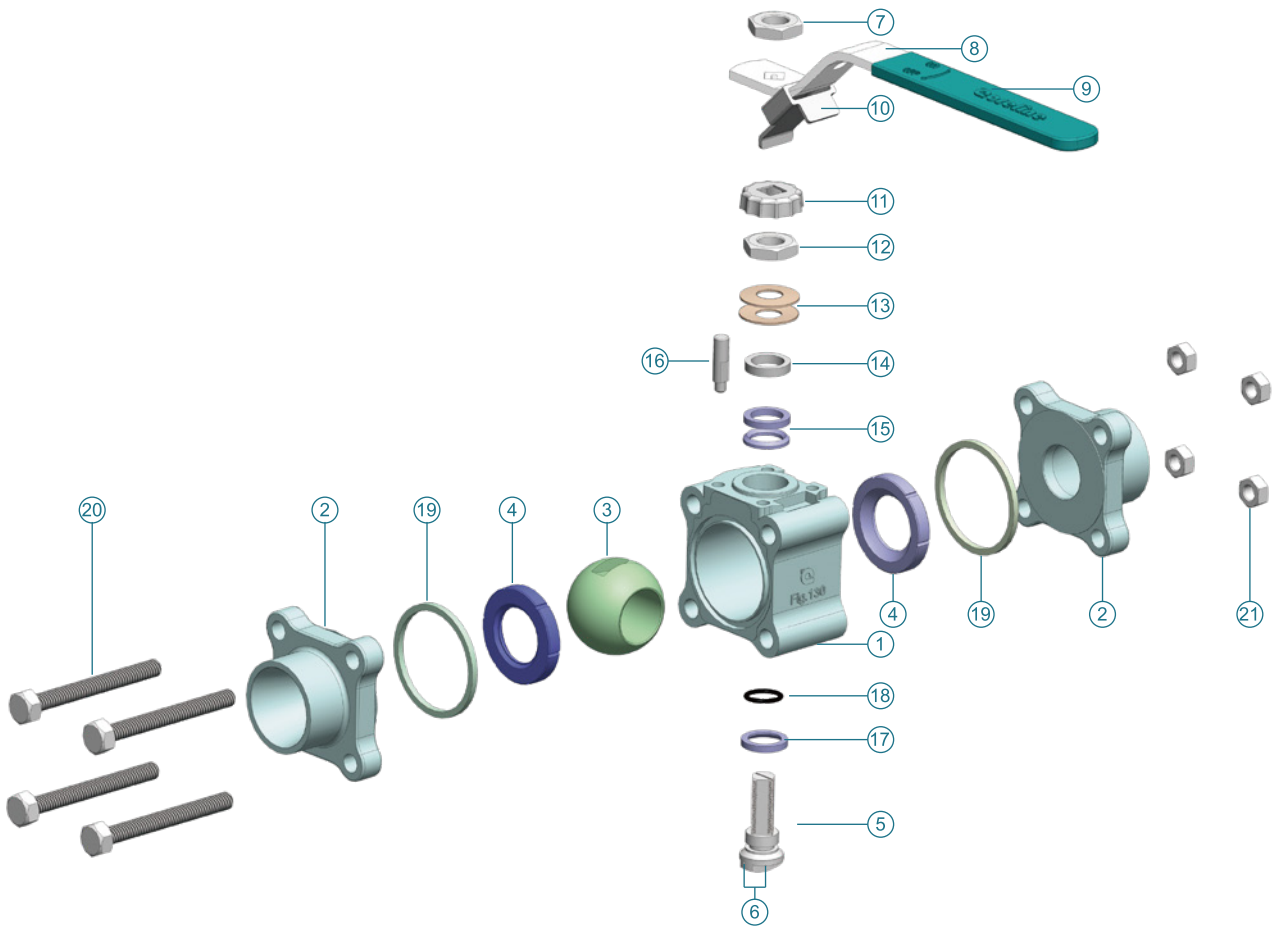
Sealing system



Seat and body sealing



Material part list

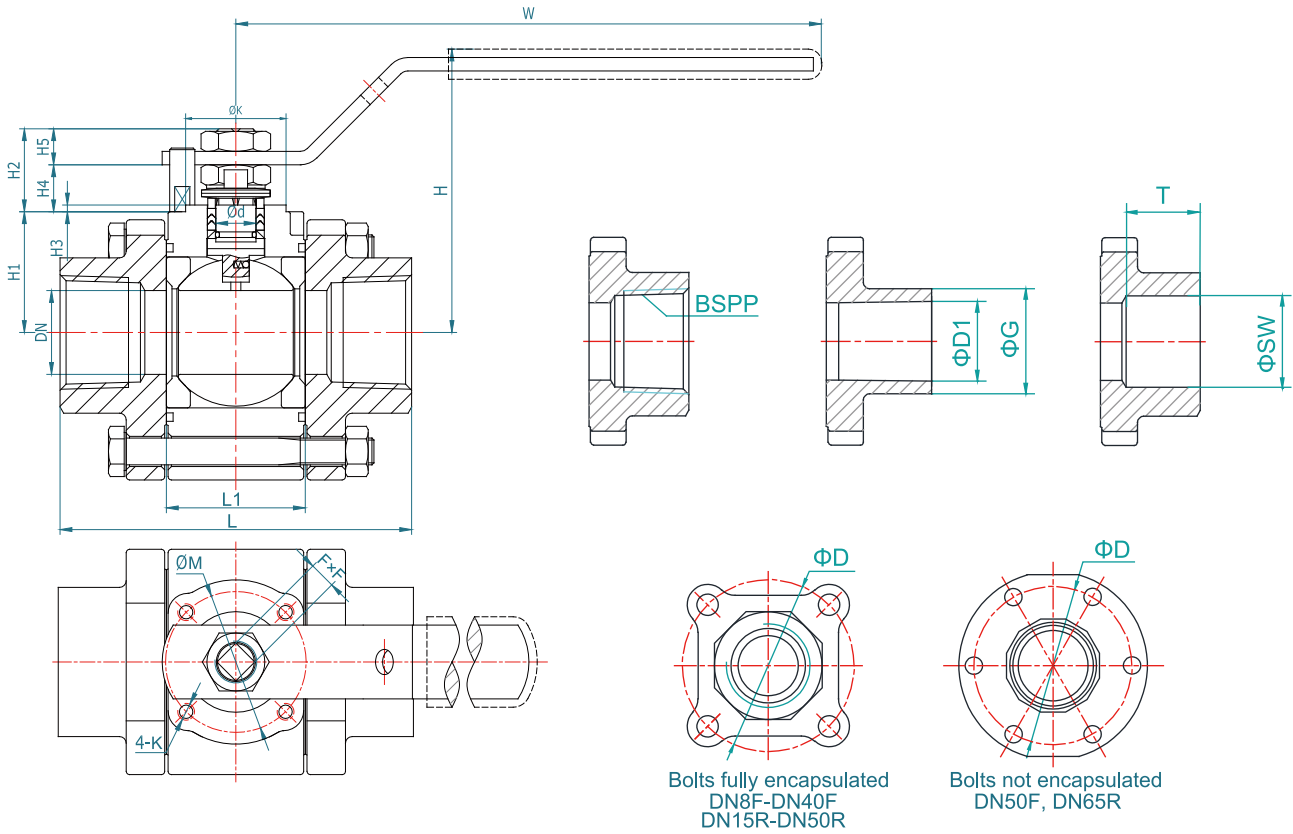


No.	Part name	Material	Specification
1	Body	Stainless steel	A351 CF8M
		Carbon steel	A216 WCB
2	End cap	Stainless steel	¹⁾ A351 CF8M
		Carbon steel	A216 WCB
3	Ball	Stainless steel	SS316
4	Seat	PTFE with 25% carbon	-
5	Stem	Stainless steel	SS316
6	Anti-static device	Stainless steel	SS304
7	Stem nut	Stainless steel	SS304
8	Handle	Stainless steel	SS304
9	Handle sleeve	Vinyl	-
10	Locking device	Stainless steel	SS304
11	Stop lock cap	Stainless steel	SS304
12	Stem nut	Stainless steel	SS304
13	Belleville washer	Stainless steel	SS304
14	Gland	Stainless steel	SS304
15	V-ring packing	* PTFE with 25% carbon, graphite	-
16	Stop pin	Stainless steel	SS304
17	Stem seal	PTFE with 25% carbon	-
18	O-ring	FPM	-
19	Joint gasket	* PTFE with 25% carbon, graphite	-
20	Bolt	Stainless steel	SS304
21	Nut	Stainless steel	SS304

1) CF3M for SS ball valve with butt weld ends connection.

2) Graphite material for fire safe type. Consult Coreline if required.

Dimensions



Valve dimension

Dimension	Valve with handle											ISO top flange			Stem		
	L(mm)		L1	d	D	H	H1	H2	H3	H4	H5	W	ISO 5211	ØM		4-K	F
	BSPP	BW															
8F	65	65	20.5	10	45	63	30	7.5	0.5	2	5.5	134	F03	36	4-M5	7	
10F/15R	65	65	20.5	10	45	63	30	7.5	0.5	2	5.5	134	F03	36	4-M5	7	
15F/20R	75	75	24.5	10	54	68	30	17	2	8.5	8.4	134	F03	36	4-M5	7	
20F/25R	85	90	31.5	10	62.5	72	33	18	2	8.5	9.2	134	F03	36	4-M5	7	
25F/32R	105	110	41.5	12	71	85	36	24	2	14	10	175	F04	42	4-M5	9	
32F/40R	111	115	48.5	12	80	89	40	24	2	14	10	175	F04	42	4-M5	9	
40F/50R	127	130	56.3	15	94	100	46.7	30	2.3	16	13.7	210	F05	50	4-M6	11	
50F/65R	143	145	71.5	15	112.5	118	69.5	25.5	1.5	11.5	13.9	210	F05	50	4-M6	11	

Butt / Socket weld dimension

DN	BW ends				SW ends				DN	BW ends				SW ends			
	WCB body		CF8M body		CF8M body		WCB/CF8M body			WCB body		CF8M body		CF8M body		WCB/CF8M body	
	EN12627		ISO1127		SMS3008		ASME B16.11			EN12627		ISO1127		SMS3008		ASME B16.11	
	ØG × ØD1 (mm)		ØG × ØD1 (mm)		ØG × ØD1 (mm)		ØSW × T (mm)			ØG × ØD1 (mm)		ØG × ØD1 (mm)		ØG × ØD1 (mm)		ØSW × T (mm)	
8F	14 / 11.5		13.5 / 10.3		10 / 8		14.6 / 9.5		32R	42.7 / 34.4		42.4 / 38.4		33.7 / 31.3		43.1 / 12.5	
10F	17.2 / 12.6		17.2 / 14		12 / 10		18 / 9.5		32F	42.7 / 34.4		42.4 / 38.4				43.1 / 12.5	
15R	21.7 / 15		21.3 / 18.1		18 / 16		22.2 / 9.5		40R	48.6 / 40.2		48.3 / 44.3		38 / 35.6		49.2 / 12.5	
15F	21.7 / 15		21.3 / 18.1				22.2 / 9.5		40F	48.6 / 40.3		48.3 / 44.3				49.2 / 12.5	
20R	27.2 / 20.5		26.9 / 23.7		25 / 22.6		27.6 / 12.5		50R	60.5 / 51.3		60.3 / 55.1		51 / 48.6		61.7 / 16	
20F	27.2 / 20.5		26.9 / 23.7		25 / 22.6		27.6 / 12.5		50F	60.5 / 51.3		60.3 / 55.1				61.7 / 16	
25R	34 / 25.7		33.7 / 29.7		32 / 29.6		34.3 / 12.5		65R	76.3 / 67.1		76.1 / 70.9		63.5 / 60.3		74.4 / 16	
25F	34 / 25.7		33.7 / 29.7				34.3 / 12.5										

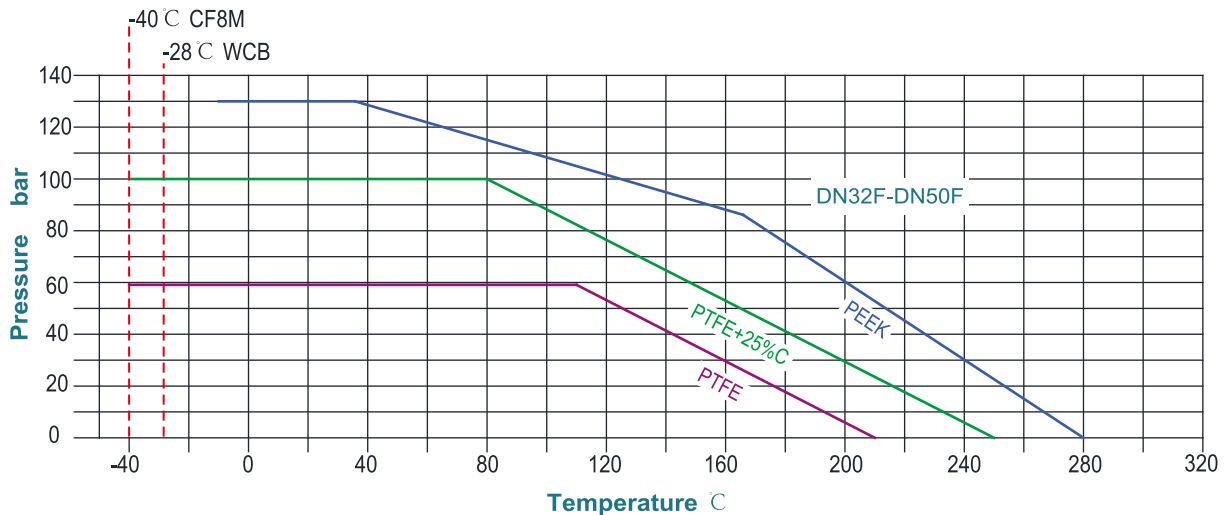
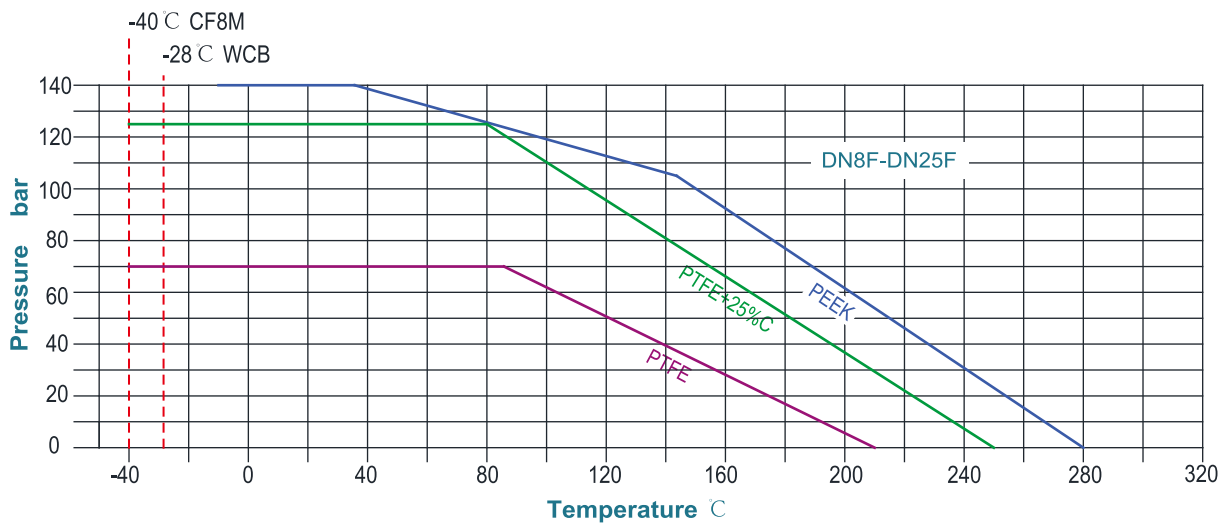
Technical data

Sizing and technical data

SIZE		Sizing		1) Torque	MAST	2) Weight		Kv value	
DN	INCH	Air supply 6bar		FB	SS316	FB	RB	FB 90°	RB 90°
		Air-Air	Air-Spring	[Nm]	[Nm]	[kg]	[kg]	[m³/h]	[m³/h]
8F	1/4"F	32	40	6	13.22	0.6	-	7	-
10F	3/8"F	32	40	6	13.22	0.7	0.65	7	7
15F	1/2"F	40	50	9	13.22	0.75	0.75	13	7
20F	3/4"F	50	65	16	13.22	1.9	1.25	30	13
25F	1"F	65	75	22	28.11	2	1.95	48	30
32F	1 1/4"F	65	75	27	28.11	2.82	2.65	73	48
40F	1 1/2"F	65	85	35	51.31	3.9	3.95	108	73
50F	2"F	75	95	48	51.31	6.55	6.7	215	108

- 1) Torque value is measured without load under room temperature.
It is based on Fig.130 with PTFE+25% carbon seat and includes 30% safety factor.
- 2) Weight for BW-ISO1127 ends connection.

Pressure temperature curve



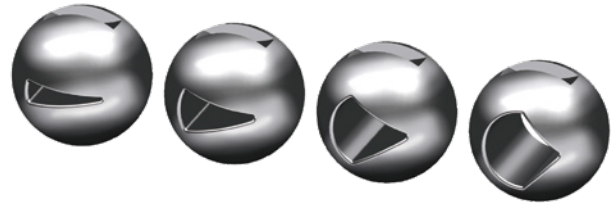
Control ball valves, brackets

Control ball valves

Dimensions: DN10 - DN50 or 3/8" - 2"
 Bigger sizes available with Fig.131

V-cut: 15°, 30°, 60°, 90°
 Special cutting available on request.

Material: SS316, SS304



- Regulation and 100% tightness with better flow characteristic.
- Customized ports offer flexibility to meet special requirements.
- High flow capacity - Straight pass through allows for maximum flow which is higher than traditional control valves.
- Compact and light weight solution compared to a traditional system.

SIZE		Degree	0%	15%	20%	30%	40%	50%	60%	70%	80%	90%	100%
DN	INCH												
DN10	3/8"	30°	0	0	0	0	0.1	0.1	0.2	0.4	0.5	0.7	0.9
		60°	0	0	0	0.1	0.1	0.2	0.5	0.7	1	1.4	1.9
		90°	-	-	-	-	-	-	-	-	-	-	-
DN15	1/2"	30°	0	0.1	0.1	0.2	0.3	0.4	0.7	0.9	1.4	1.9	2.2
		60°	0	0.1	0.1	0.3	0.4	0.8	1.2	1.7	2.8	3.7	5.1
		90°	0	0.1	0.2	0.3	0.5	0.8	1.3	1.9	3.2	4.6	5.9
DN20	3/4"	30°	0	0.1	0.2	0.4	0.6	0.9	1.5	2	2.8	3.8	4.6
		60°	0	0.1	0.2	0.6	0.9	1.4	2.4	3.4	5.5	7.7	10.2
		90°	0	0.2	0.3	0.7	1	1.7	2.6	3.9	6.8	9.6	11.9
DN25	1"	30°	0	0.1	0.3	0.7	1.1	2	3	4.3	7.2	8.3	8.5
		60°	0	0.2	0.3	0.9	1.5	2.9	4.5	6.7	10.5	13	17.9
		90°	0	0.2	0.5	1.5	2.9	4.3	6.9	9.7	13.6	17.9	24.7
DN32	1 1/4"	30°	0	0.2	0.3	0.9	1.7	3.1	4.7	6.8	8.5	11.1	12.8
		60°	0	0.2	0.5	1.5	2.6	4.7	8.1	10.9	16.2	22.1	33.2
		90°	0	0.3	0.7	1.7	4.3	6.8	11.9	16.2	23.8	33.2	46.8
DN40	1 1/2"	30°	0	0.3	0.5	1.4	2.6	4.3	6.4	9.4	11.9	14.5	17
		60°	0	0.3	0.7	2.1	3.4	6.8	11.1	16.2	23	34	44.2
		90°	0	0.3	0.8	3	6	11.4	17	26.4	35.7	53.6	66.3
DN50	2"	30°	0	0.3	1	3.2	5.1	8.5	12.8	19.6	26.4	36.6	51
		60°	0	0.3	1.3	3.9	7.7	14	23	33.2	46.8	70.6	93.5
		90°	0	0.4	1.7	5.1	10.2	18.7	29.8	38.3	59.5	89.3	114.8

Fig.510/515 Brackets

Type: Fig.510 - Open bracket
 Fig.515 - Closed bracket

- Stainless steel.
- Using as adapter bracket to change the ISO connection.
- Using as function of isolation or protect the actuator because of the temperature in the system.
- Fig.515 closed bracket with hand lever



Actuator and accessories

Pneumatic actuators

CE  SIL



Type:	Fig.540 double acting, Fig.541 spring return
Torque:	Max.12992Nm
Operating medium:	Dry or lubricated air, inert/non-corrosive gases
Air supply pressure:	2.5bar-8bar
Travel stop:	0°- 90°, adjustable +4° to -4°
Mounting details:	ISO 5211, Namur, VDI/VDE 3845
Body material:	Hard anodized aluminum alloy

Electrical actuators

CE 



Type:	Fig.550 standard Fig.550S spring return type
Torque:	10Nm and up
Ambient temperature:	-25 C ~ +65 C
Function:	ON/OFF, Modulating
Body material:	Hard anodized aluminum alloy

Pneumatic accessories



Position switch box:	Fig.561/561M standard type Fig.560/560B/560C Explosion-proof type
Solenoid valve:	Fig.570 standard type Fig.576 Explosion-proof type
Positioner:	Fig.585 Intelligent EP type Fig.586 Electrical-Pneumatic type
Air regulator:	Air regulator Filter/Regulator-Lubricator (F.R.L) Filter-Regulator-Lubricator (F.R.L)
Pneumatic fittings:	Push-in fittings Silencers

Coreline

CORELINE LTD.

The contents of this catalogue are confidential and proprietary to Coreline, we reserve the right to change the specifications without any notice.

Add: No.4 Wangjiang Road, Muqiao Town, Zhengpugang New District, 238200 Hexian, Ma'anshan City, Anhui Province, China

Http: // www.coreline.dk

E-mail : mail@coreline.cn