

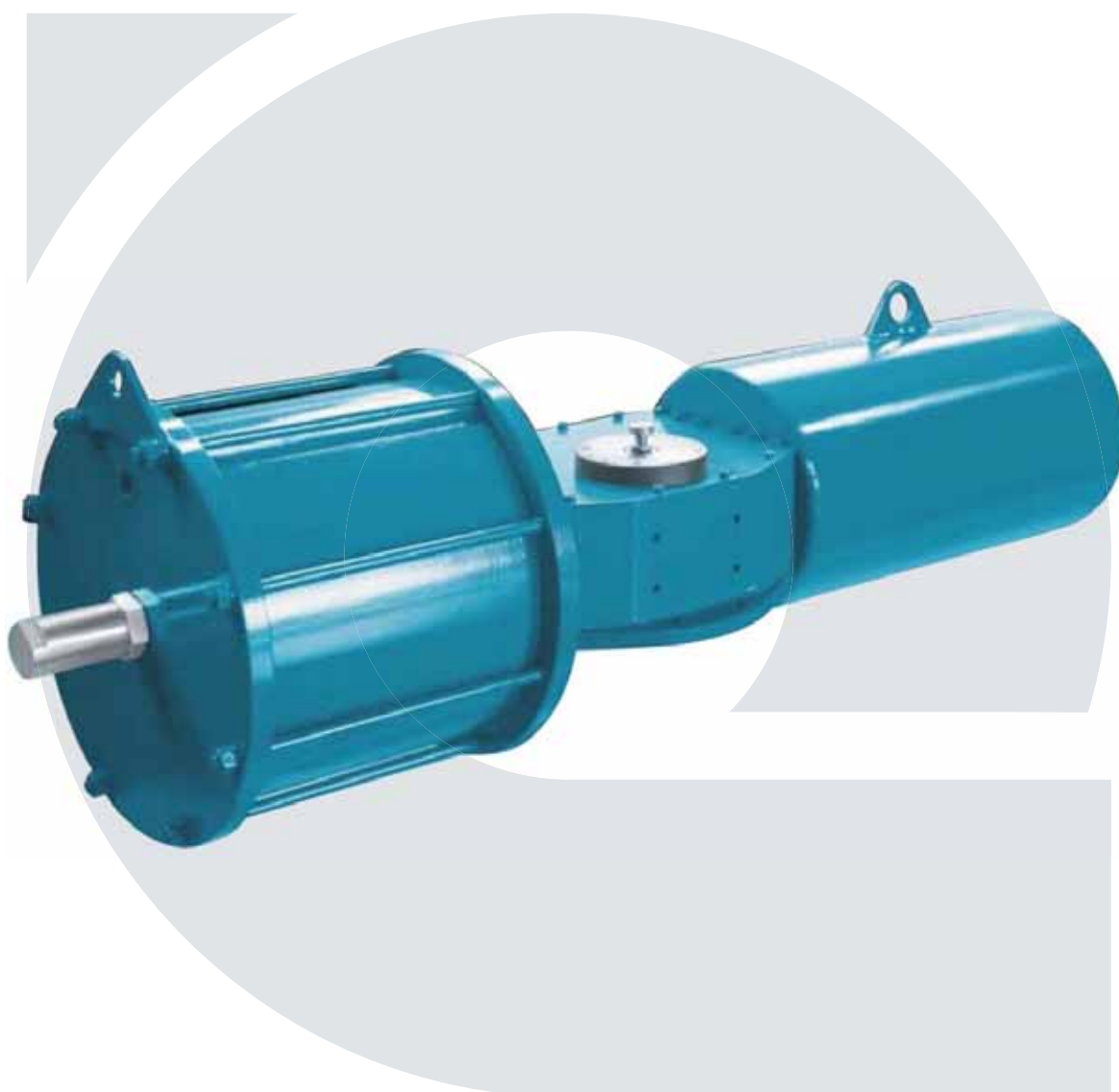
# Coreline

## Scotch yoke pneumatic actuators

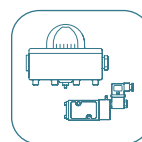
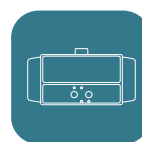
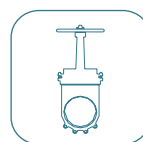
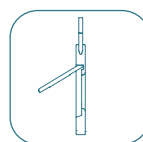
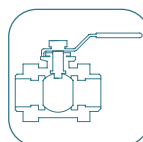
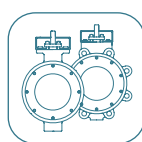
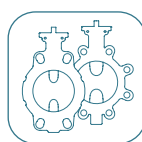


English

**CL series**



[www.coreline.dk](http://www.coreline.dk)



# General information

## Specifications

Coreline CL series actuators adopt the classical scotch yoke mechanism design, which can output maximum torque at both ends of the stroke, available for all 90° rotation valves. The actuator is designed to provide long and efficient service with minimum maintenance.



- Operating media: Dry or lubricated air, non-corrosive gas
- Operating temperature: -20°C~+80°C : Standard  
-40°C~+80°C : Low temperature  
-20°C~+120°C : High temperature
- Travel adjustment: Adjustable +5°/-5° by 0° and 90° position
- Air supply pressure: 3bar~8bar



ATEX approval and CE certification for all Coreline pneumatic actuators.

## Index

page 3	Design features
page 4	Structure features
page 5	Material part list
page 6	Dimensions - Double acting actuators
page 7+8	Dimensions - Spring return actuators
page 9+10	Mounting dimensions
page 11	Output torque - Double acting actuators
page 12+13	Output torque - Spring return actuators

## Design features

### **Totally enclosed housing design**

Centre body has been designed totally enclosed, weatherproof housing fabricated in carbon steel or welding material provide an excellent strength.

### **Standard mounting flange**

ISO5211 connection for directly mounting on valves.

NAMUR air supply connection to install solenoid valve directly.

VDI/VDE 3845 standard for easy top mounting of switches, positioners etc.

### **Wear resistant**

The guide rod and piston rod with advanced surface treatment combined with self-lubricating bearings, which provides superior wear resistance and extends the life of all sliding components.

### **Water ingress protected**

Sealing gaskets are fitted in the joint among body, cap, pneumatic cylinder, which prevent from water ingress.

### **Corrosion resistant**

Coreline CL series pneumatic actuators coated with over 3 layers of protective coating, which can meet the requirements of the petrochemical and coastal environment.

### **Self-lubricating**

Coreline CL series pneumatic has been designed to be completely self-lubricating, which ensure maximum wear resistance and long cycle life. No need of lubrication.

### **Modular construction design**

Coreline CL series pneumatic actuator has a efficient and interchangeable modular construction design, including centre body, pneumatic cylinder, spring cartridge, hydraulic cylinder, override modular and so on. Modular construction and stocking of components by Coreline facilitates quick delivery time.

### **Safe spring module**

To ensure the safety of personnel during installation and maintenance, the spring cartridge module can be only removed from the axes of the pneumatic cylinder module, which avoids the damage to the operating people and pneumatic devices.

### **Manual override**

Available with declutchable manual override and hydraulic manual override.

### **Minimum maintenance**

Coreline CL series pneumatic actuators are designed to provide long and efficient service with minimum maintenance.

# Structure features

## Steel guide bar

Hard chrome plated alloy steel guide bar provides optimal support of the transverse loads.

## Slider block

Aluminum bronze slider blocks and high frequency quenching steel shaft pin minimize contact stress and ensure high cycle life.

## Cylinder

Electroless nickel plated and polished cylinder for corrosion resistance and minimal friction.

## Guide ring

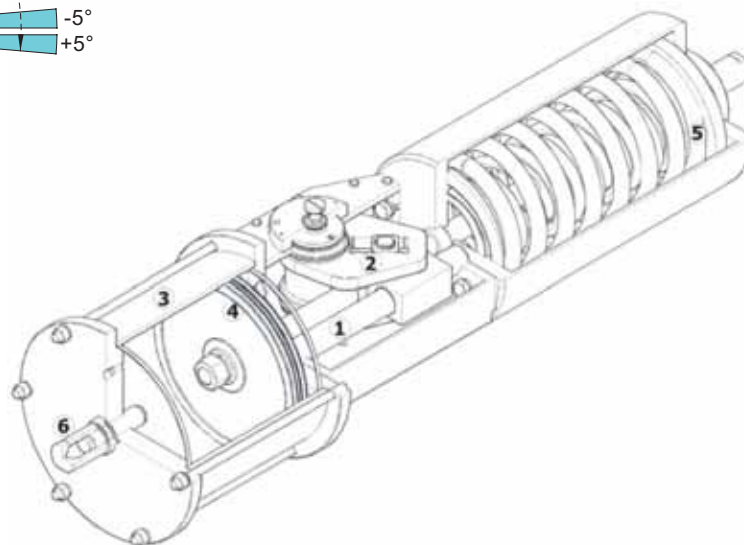
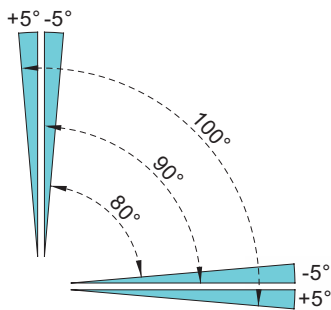
Made from low friction, long-life compound material, to avoid the direct contact between metals, the maintenance and replacement are easy and convenient.

## Spring

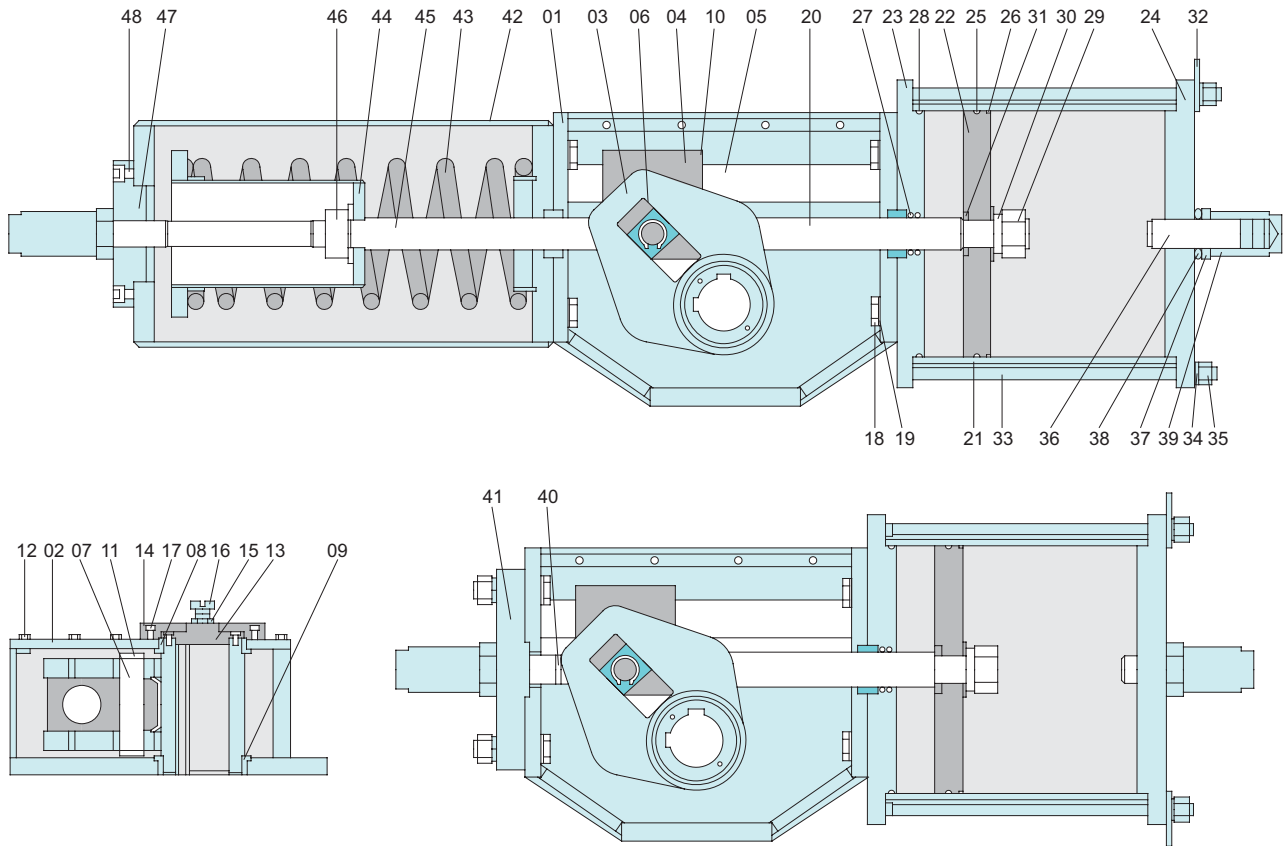
High strength alloy steel spring to maintain consistent torque output and promote high cycle life performance.

## Travel adjustment

Bi-directional travel stops allow  $90^\circ \pm 5^\circ$  travel adjustment, which make the valve be in the best position.

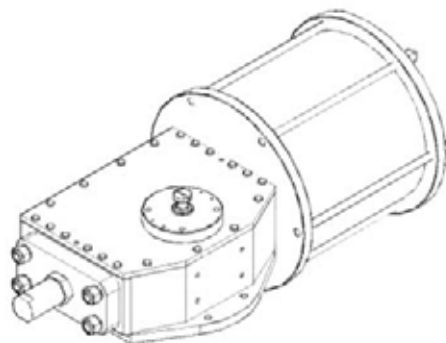
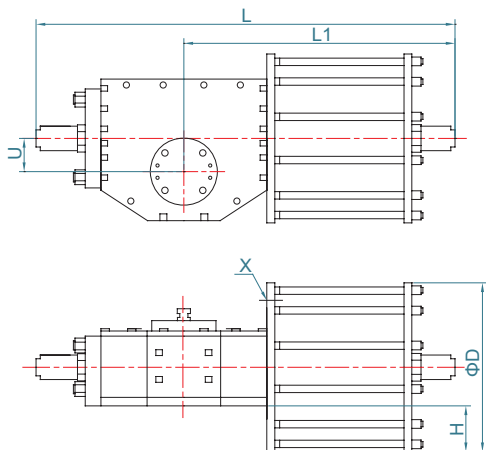


# Matetial part list



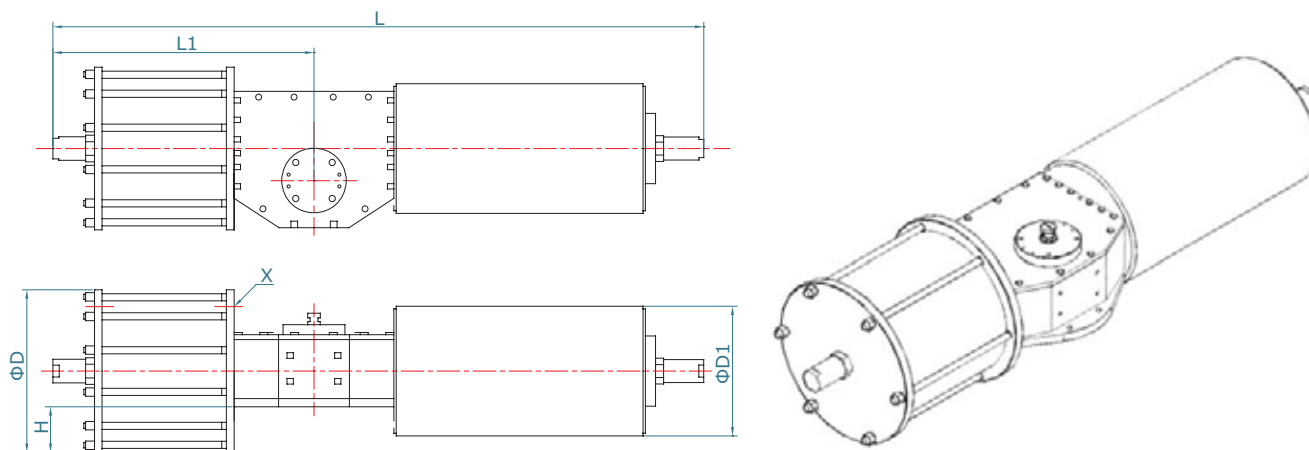
No.	Part name	Material	No.	Part name	Material	No.	Part name	Material
1	Body	Carbon steel	17	Screw	Stainless steel	33	Stud	Carbon steel
2	Body cap	Carbon steel	18	Bolt	Carbon steel	34	Nut	Carbon steel
3	Yoke	Carbon steel	19	Disc spring	Spring steel	35	Disc spring	Spring steel
4	Guide block	Carbon steel	20	Piston rod	Carbon steel	36	Stroke bolt	Carbon steel
5	Guide rod	Alloy steel	21	Cylinder	Carbon steel	37	Nut	Carbon steel
6	Sliding block	Bronze	22	Piston	Carbon steel	38	O-ring	NBR
7	Pin	Alloy steel	23	Front flange	Carbon steel	39	Cover	Carbon steel
8	Upper bushing	Bronze	24	End flange	Carbon steel	40	End screw	Carbon steel
9	Lower bushing	Bronze	25	O-ring	NBR	41	End flange	Carbon steel
10	Rod bushing	Bronze+PTFE	26	Guide ring	PTFE	42	Spring cylinder	Carbon steel
11	Roller	Spring steel	27	O-ring	NBR	43	Spring	Alloy steel
12	Bolt	Alloy steel	28	O-ring	NBR	44	Spring seat	Carbon steel
13	Indicate cover	Carbon steel	29	Nut	Carbon steel	45	Tension rod	Carbon steel
14	Yoke cover	Carbon steel	30	Disc spring	Spring steel	46	Nut	Carbon steel
15	Nut	Stainless steel	31	O-ring	NBR	47	Cover	Carbon steel
16	Drive shaft	Stainless steel	32	Cliver	Carbon steel	48	Screw	Carbon steel

## Dimensions - Double acting actuators



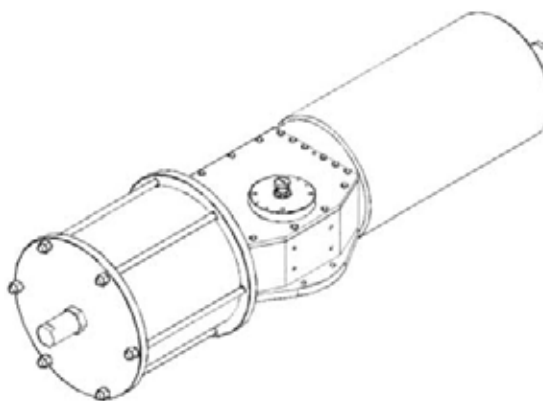
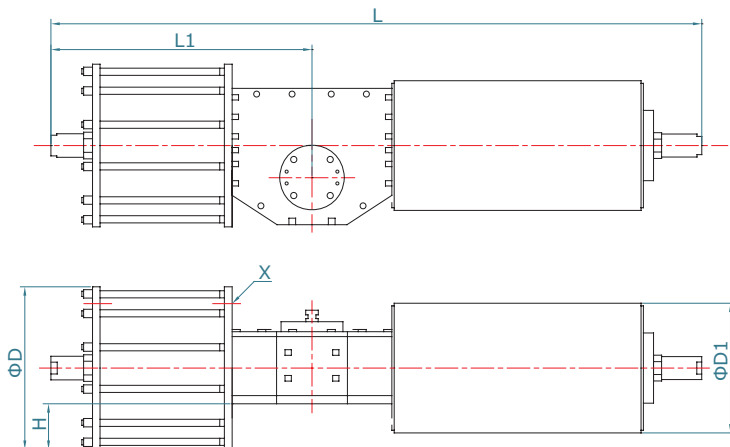
Model	L1	L	D	U	H	X (NPT)	Air volume (L)	
							Opening	Closing
CL-065-180-D1	605	935	240	65	40	1/4"	5.4	4.1
CL-065-235-D1	605	935	310	65	75	1/2"	9.3	7.1
CL-065-280-D1	610	940	355	65	98	1/2"	13.2	10.2
CL-065-335-D1	630	960	415	65	128	1/2"	19.2	15
CL-085-235-D1	685	1045	310	85	70	1/2"	11.5	9.2
CL-085-280-D1	690	1050	355	85	93	1/2"	16.3	13.2
CL-085-335-D1	710	1070	415	85	123	1/2"	23.6	19.4
CL-085-385-D1	722	1080	465	85	148	1"	31	25.5
CL-085-435-D1	722	1080	515	85	173	1"	39.5	32.6
CL-100-335-D1	800	1210	415	100	104	1/2"	27.1	22.9
CL-100-385-D1	812	1220	465	100	129	1"	35.6	30.1
CL-100-435-D1	812	1220	515	100	154	1"	45.5	38.5
CL-100-485-D1	825	1235	570	100	181	1"	56.2	47.5
CL-100-535-D1	840	1250	620	100	206	1"	68.3	57.9
CL-130-335-D1	960	1460	415	130	97	1/2"	34.2	28.7
CL-130-385-D1	977	1475	465	130	122	1"	45.5	38.5
CL-130-435-D1	990	1490	515	130	147	1"	57.8	49
CL-130-485-D1	990	1490	570	130	174	1"	71.9	61
CL-130-535-D1	1005	1505	620	130	199	1"	87.4	74.4
CL-130-585-D1	1020	1520	680	130	229	1"	104.6	89.1
CL-130-635-D1	1020	1520	730	130	254	1"	123.2	105.1
CL-130-685-D1	1020	1520	780	130	279	1"	143.4	122.4
CL-160-385-D1	1102	1655	465	160	103	1"	54.2	47
CL-160-435-D1	1115	1665	515	160	128	1"	69	60
CL-160-485-D1	1115	1665	570	160	155	1"	85.7	74.8
CL-160-535-D1	1130	1680	620	160	180	1"	104.3	91.1
CL-160-585-D1	1145	1695	680	160	210	1"	124.7	109.1
CL-160-635-D1	1145	1695	730	160	235	1"	146.9	128.7
CL-160-685-D1	1145	1695	780	160	260	1"	171	149.9
CL-160-735-D1	1150	1700	840	160	285	1"	196.9	177
CL-160-785-D1	1150	1700	890	160	305	1"	224.6	202
CL-200-485-D1	1335	1995	570	200	135	1"	107	93.5
CL-200-535-D1	1345	2005	620	200	160	1"	129	113
CL-200-585-D1	1360	2020	680	200	190	1"	154.3	135.4
CL-200-635-D1	1375	2035	730	200	215	1"	181.8	159.8
CL-200-685-D1	1390	2050	780	200	240	1"	211.5	186.1
CL-200-735-D1	1390	2050	840	200	270	1"	243.5	214.5
CL-200-785-D1	1390	2050	890	200	295	1"	277.8	244.9
CL-200-835-D1	1390	2050	940	200	320	1"	314.3	277.3
CL-200-885-D1	1405	2065	990	200	345	1"	353.1	311.7
CL-200-935-D1	1405	2065	1040	200	370	1"	394.1	348
CL-200-985-D1	1405	2065	1090	200	395	1"	437.4	386.4

## Dimensions - Spring return actuators



Model	L1	L	D	D1	U	H	X (NPT)	Air volume (L)
CL-065-235-S1	605	1515	310	273	65	75	1/2"	7.1
CL-065-280-S1	610	1520	355	273	65	98	1/2"	10.2
CL-065-280-S2	610	1520	355	273	65	98	1/2"	10.2
CL-065-335-S2	630	1540	415	273	65	128	1/2"	15
CL-065-280-S3	610	1485	355	325	65	98	1/2"	10.2
CL-065-335-S3	630	1505	415	325	65	128	1/2"	15
CL-065-335-S4	630	1535	415	325	65	128	1/2"	15
CL-085-235-S1	685	1625	310	273	85	70	1/2"	9.2
CL-085-280-S1	690	1630	355	273	85	93	1/2"	13.2
CL-085-280-S2	690	1630	355	273	85	93	1/2"	13.2
CL-085-335-S2	710	1650	415	273	85	123	1/2"	19.4
CL-085-385-S2	722	1662	465	273	85	148	1"	25.5
CL-085-280-S3	690	1645	355	325	85	93	1/2"	13.2
CL-085-335-S3	710	1665	415	325	85	123	1/2"	19.4
CL-085-385-S3	722	1677	465	325	85	148	1"	25.5
CL-085-435-S3	722	1677	515	325	85	173	1"	32.6
CL-085-335-S4	709	1685	415	325	85	123	1/2"	19.4
CL-085-385-S4	722	1697	465	325	85	148	1"	25.5
CL-085-435-S4	722	1697	515	325	85	173	1"	32.6
CL-085-335-S5	710	1665	415	325	85	123	1/2"	19.4
CL-085-385-S5	722	1677	465	325	85	148	1"	25.5
CL-085-435-S5	722	1677	515	325	85	173	1"	32.6
CL-085-385-S6	722	1682	465	325	85	148	1"	25.5
CL-085-435-S6	722	1682	515	325	85	173	1"	32.6
CL-085-435-S7	722	1772	515	406	85	173	1"	32.6
CL-100-385-S1	812	2017	465	406	100	129	1"	22.9
CL-100-435-S1	812	2017	515	406	100	154	1"	30.1
CL-100-485-S1	825	2030	570	406	100	181	1"	38.5
CL-100-535-S1	840	2045	620	406	100	206	1"	47.5
CL-100-435-S2	812	1957	515	406	100	154	1"	38.5
CL-100-485-S2	825	1970	570	406	100	181	1"	47.5
CL-100-535-S2	840	1985	620	406	100	206	1"	57.9
CL-130-435-S1	990	2365	515	457	130	147	1"	49
CL-130-485-S1	990	2365	570	457	130	174	1"	61
CL-130-535-S1	1005	2380	620	457	130	199	1"	74.4
CL-130-585-S1	1020	2395	680	457	130	229	1"	89.1
CL-130-635-S1	1020	2395	730	457	130	254	1"	105.1
CL-130-535-S2	1005	2390	620	508	130	199	1"	74.4
CL-130-585-S2	1020	2405	680	508	130	229	1"	89.1
CL-130-635-S2	1020	2405	730	508	130	254	1"	105.1
CL-130-685-S2	1020	2405	780	508	130	279	1"	122.4
CL-130-585-S3	1020	2425	680	508	130	229	1"	89.1

## Dimensions - Spring return actuators

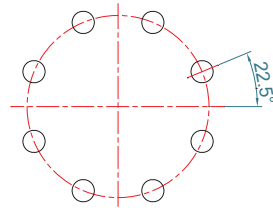
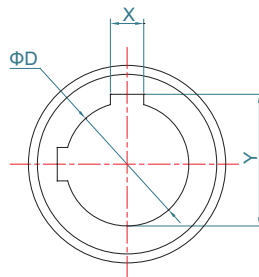
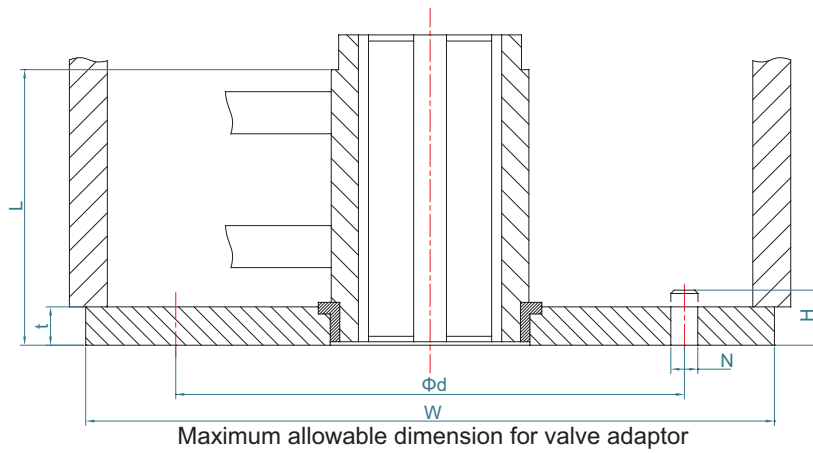


Model	L1	L	D	D1	U	H	X (NPT)	Air volume (L)
CL-130-635-S3	1020	2425	730	508	130	254	1"	105.1
CL-130-685-S3	1020	2425	780	508	130	279	1"	122.4
CL-130-735-S3	1035	2440	840	508	130	279	1"	140.8
CL-160-535-S1	1130	3250	620	560	160	180	1"	91.1
CL-160-585-S1	1145	3265	680	560	160	210	1"	109.1
CL-160-635-S1	1145	3265	730	560	160	235	1"	128.7
CL-160-685-S1	1145	3265	780	560	160	260	1"	149.9
CL-160-735-S1	1160	3280	840	560	160	285	1"	177
CL-160-785-S1	1160	3280	890	560	160	305	1"	202
CL-160-585-S2	1145	3095	680	560	160	210	1"	109.1
CL-160-635-S2	1145	3095	730	560	160	230	1"	128.7
CL-160-685-S2	1145	3095	780	560	160	260	1"	149.9
CL-160-735-S2	1140	3110	840	560	160	285	1"	177
CL-160-785-S2	1140	3110	890	560	160	305	1"	202
CL-160-635-S3	1145	3125	730	600	160	235	1"	128.7
CL-160-685-S3	1145	3125	780	600	160	260	1"	149.9
CL-160-735-S3	1160	3140	840	600	160	285	1"	177
CL-160-785-S3	1160	3140	890	600	160	305	1"	202
CL-200-635-S1	1375	3515	730	600	200	215	1"	159.8
CL-200-685-S1	1390	3530	780	600	200	240	1"	186.1
CL-200-735-S1	1390	3530	840	600	200	270	1"	214.5
CL-200-785-S1	1390	3530	890	600	200	295	1"	244.9
CL-200-835-S1	1390	3530	940	600	200	320	1"	277.3
CL-200-885-S1	1405	3545	990	600	200	345	1"	311.7
CL-200-785-S2	1390	3570	890	600	200	295	1"	244.9
CL-200-835-S2	1390	3570	940	600	200	320	1"	277.3
CL-200-885-S2	1405	3585	990	600	200	345	1"	311.7
CL-200-935-S2	1405	3585	1040	600	200	370	1"	348
CL-200-985-S2	1405	3585	1090	600	200	395	1"	386.4



# Mounting dimensions

## Mounting dimensions for valves

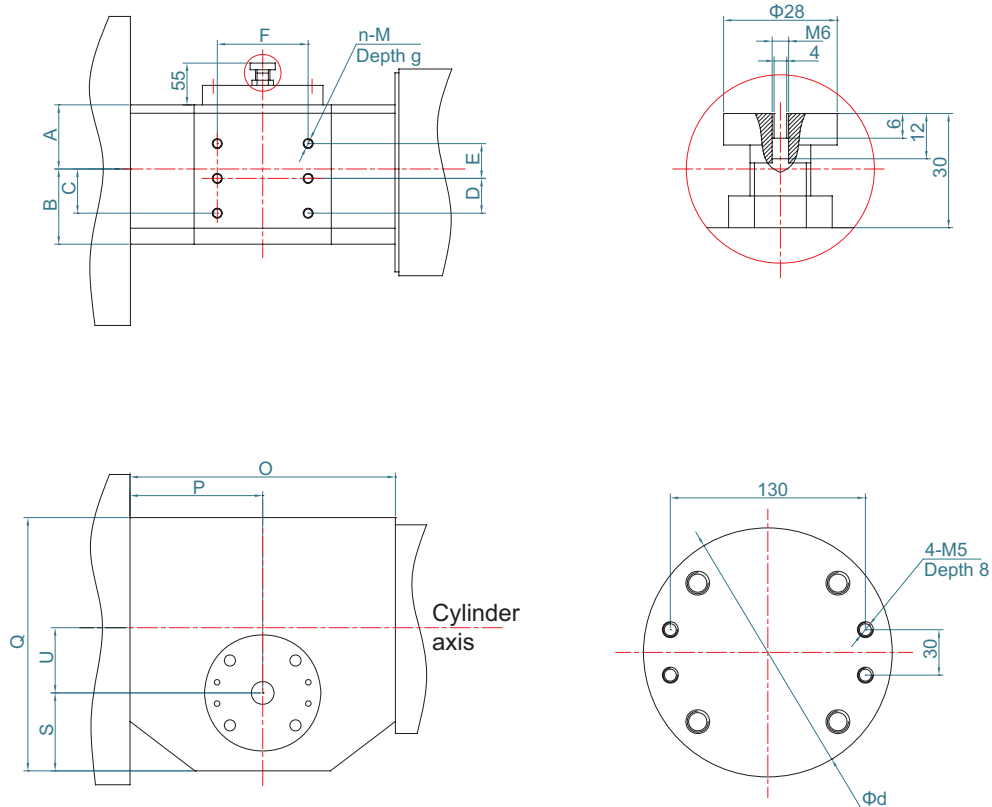


ISO5211 mounting flange  
F25/F30/F35/F40

Model	ISO 5211 Mounting Flange	D	d	N	t	H	L	W	X	Y
CL-065	F25	50	254	8-M16	20	24	130	320	14	53.8
CL-085	F25	65	254	8-M16	20	24	140	390	18	69.4
CL-100	F30	80	298	8-M20	25	28	170	460	22	85.4
CL-130	F30	110	298	8-M20	25	28	180	550	28	116.4
CL-160	F35	140	356	8-M30	30	35	210	660	36	148.4
CL-200	F40	160	406	8-M36	35	40	240	800	40	169.4

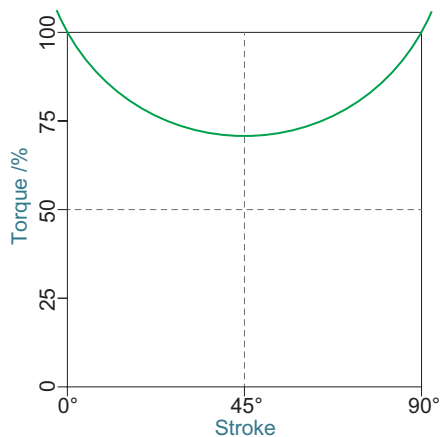
# Mounting dimensions

## Mounting dimensions for enclosures



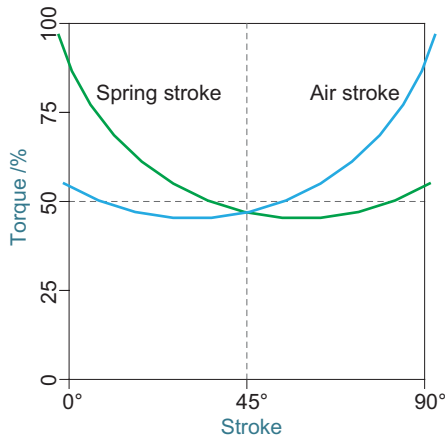
Model	A	B	C	D	E	F	n	M	g	O	P	Q	U	S	d
CL-065	75	80	27	60	-	120	4	M12	12	350	175	297	65	80	155
CL-085	78	85	30	60	-	120	4	M12	12	410	205	330	85	100	155
CL-100	92	104	50	60	35	120	6	M12	16	490	245	385	110	120	175
CL-130	102	111	50	60	35	120	6	M12	16	590	295	500	130	180	215
CL-160	115	130	60	60	60	120	6	M12	18	690	345	590	160	210	255
CL-200	135	150	70	60	60	120	6	M12	18	830	415	710	200	250	285

# Output torque - Double acting actuators



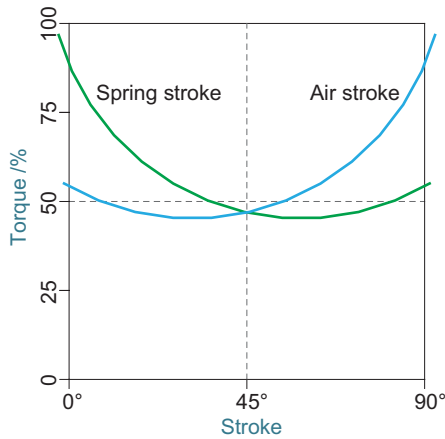
Model	Output torque (Nm)											
	4 bar			5 bar			6 bar			8 bar		
	0°	45°	90°	0°	45°	90°	0°	45°	90°	0°	45°	90°
CL-065-180-D1	818	508	887	1024	637	1111	1230	765	1335	1643	1021	1783
CL-065-235-D1	1427	887	1548	1786	1111	1938	2145	1334	2328	2863	1780	3107
CL-065-280-D1	2046	1272	2220	2560	1592	2778	3075	1912	3336			
CL-065-335-D1	2950	1834	3201	3691	2295	4005						
CL-085-235-D1	1909	1187	2072	2390	1486	2594	2870	1785	3115	3831	2382	4158
CL-085-280-D1	2737	1702	2971	3426	2130	3718	4114	2558	4465	5490	3413	5958
CL-085-335-D1	3947	2454	4283	4938	3070	5359	5929	3686	6435	7912	4919	8586
CL-085-385-D1	5234	3254	5681	6548	4071	7107	7862	4888	8532			
CL-085-435-D1	6701	4166	7273	8382	5212	9097						
CL-100-335-D1	4688	2914	5090	5866	3646	6369	7043	4378	7647	9398	5842	10204
CL-100-385-D1	6218	3865	6751	7778	4835	8445	9339	5806	10140	12460	7746	13529
CL-100-435-D1	7960	4948	8643	9957	6190	10811	11954	7431	12979			
CL-100-485-D1	9915	6164	10765	12401	7710	13465						
CL-100-535-D1	12083	7512	13119									
CL-130-335-D1	6120	3804	6649	7657	4759	8319	9194	5715	9989	12268	7626	13329
CL-130-385-D1	8133	5055	8836	10174	6324	11054	12216	7593	13272	16298	10131	17707
CL-130-435-D1	10426	6481	11327	13042	8107	14169	15657	9732	17011	20889	12984	22694
CL-130-485-D1	12999	8080	14123	16259	10107	17665	19519	12133	21207	26040	16186	28290
CL-130-535-D1	15853	9854	17223	19827	12324	21541	23802	14795	25859	31751	19736	34495
CL-130-585-D1	18986	11802	20628	23745	14760	25798	28504	17718	30968			
CL-130-635-D1	22400	13924	24337	28014	17413	30435	33627	20902	36534			
CL-130-685-D1	26094	16220	28350	32632	20284	35453						
CL-160-385-D1	10077	6262	10955	12606	7834	13704	15135	9406	16454	20193	12550	21953
CL-160-435-D1	12918	8028	14043	16159	10042	17567	19399	12056	21090	25881	16085	28136
CL-160-485-D1	16106	10010	17509	20145	12520	21901	24184	15030	26292	32263	20051	35074
CL-160-535-D1	19642	12207	21353	24566	15267	26706	29490	18328	32060	39339	24448	42766
CL-160-585-D1	23524	14620	25574	29420	18284	31984	35317	21949	38394	47109	29278	51214
CL-160-635-D1	27754	17248	30172	34709	21571	37733	41664	25893	45294			
CL-160-685-D1	32330	20093	35147	40431	25127	43954	48531	30161	52760			
CL-160-735-D1	37254	23153	40500	46587	28953	50646						
CL-160-785-D1	42525	26429	46230									
CL-200-485-D1	20349	12653	22077	25453	15827	27614	30556	19000	33150	40763	25346	44224
CL-200-535-D1	24837	15444	26946	31064	19316	33702	37292	23188	40458	49746	30932	53969
CL-200-585-D1	29766	18509	32293	37227	23148	40388	44688	27787	48482	59610	37065	64671
CL-200-635-D1	35136	21847	38119	43941	27322	47671	52745	32797	57224	70355	43747	76329
CL-200-685-D1	40946	25460	44422	51205	31839	55552	61464	38218	66682	81982	50977	88942
CL-200-735-D1	47196	29347	51204	59020	36699	64031	70843	44050	76858	94490	58754	102513
CL-200-785-D1	53888	33508	58463	67386	41901	73107	80884	50294	87751	107879	67080	117039
CL-200-835-D1	61020	37942	66201	76302	47445	82781	91585	56948	99361			
CL-200-885-D1	68593	42651	74416	85770	53332	93052						
CL-200-935-D1	76606	47634	83110	95788	59561	103921						
CL-200-985-D1	85060	52890	92282									

# Output torque - Spring return actuators



Model	Output torque (Nm)														
	Spring			3Bar			4 Bar			5 Bar			6 Bar		
	0°	45°	90°	90°	45°	0°	90°	45°	0°	90°	45°	0°	90°	45°	0°
CL-065-235-S1	948	485	664				741	345	400	1100	568	790	1459	792	1180
CL-065-280-S1	946	484	662	845	410	514	1360	730	1072						
CL-065-280-S2	1582	810	1109							1418	689	867	1932	1009	1425
CL-065-335-S2	1580	808	1107	1067	471	486	1808	932	1290	2548	1392	2094			
CL-065-280-S3	1968	1033	1470										1564	762	963
CL-065-335-S3	1966	1032	1468				1440	685	827	2180	1145	1631	2921	1606	2435
CL-065-335-S4	2833	1467	2045										2334	1125	1395
CL-085-235-S1	1407	692	888							1471	713	891	1952	1011	1413
CL-085-280-S1	1404	690	885	1131	501	522	1819	929	1269						
CL-085-280-S2	2347	1155	1484										2585	1271	1631
CL-085-335-S2	2344	1153	1481				2419	1167	1450	3410	1783	2526	4401	2400	3601
CL-085-385-S2	2342	1151	1478	2392	1151	1421	3706	1968	2847						
CL-085-280-S3	2570	1265	1626										2441	1150	1364
CL-085-335-S3	2567	1263	1623				2274	1046	1183	3266	1662	2259	4257	2278	3334
CL-085-385-S3	2564	1261	1620	2248	1030	1154	3562	1846	2580						
CL-085-435-S3	2561	1259	1617	3348	1713	2348									
CL-085-335-S4	3791	1841	2312										3555	1640	1866
CL-085-385-S4	3788	1839	2309							4173	2024	2538	5487	2841	3964
CL-085-435-S4	3785	1837	2306				4326	2120	2704	6008	3165	4528			
CL-085-335-S5	3986	1962	2524										3339	1505	1632
CL-085-385-S5	3983	1961	2521							3958	1890	2304	5271	2707	3729
CL-085-435-S5	3981	1959	2518				4111	1985	2470	5792	3031	4294	7473	4076	6119
CL-085-385-S6	4926	2425	3120										4661	2193	2598
CL-085-435-S6	4924	2424	3117							5182	2517	3163	6863	3562	4988
CL-085-435-S7	6315	3165	4196										5765	2743	3319
CL-100-385-S1	6306	2857	3132										6124	2631	2542
CL-100-435-S1	6303	2855	3128							6742	3015	3213	8739	4257	5382
CL-100-485-S1	6300	2853	3125				6700	2990	3168	9186	4535	5868			
CL-100-535-S1	6297	2851	3121	5839	2454	2233	8868	4337	5522						
CL-100-435-S2	7330	3493	4243										7604	3552	4150
CL-100-485-S2	7326	3491	4239							8052	3830	4636	10538	5376	7336
CL-100-535-S2	7323	3489	4236				7733	3632	4290	10763	5515	7579			
CL-130-435-S1	9462	4789	6461										9044	4414	5605
CL-130-485-S1	9458	4786	6456							9646	4788	6259	12906	6815	9801
CL-130-535-S1	9454	4784	6452				9240	4536	5817	13214	7006	10135	17189	9477	14453
CL-130-585-S1	9450	4781	6447	7615	3525	4051	12373	6484	9222	17132	9442	14392			
CL-130-635-S1	9445	4778	6442	10174	5116	6832	15787	8605	12930						
CL-130-535-S2	12429	6291	8488							11143	5340	6562	15117	7811	10880
CL-130-585-S2	12425	6288	8483				10302	4817	5648	15061	7776	10819			
CL-130-635-S2	12421	6286	8479				13716	6939	9357	19329	10429	15456			
CL-130-685-S2	12417	6283	8474	10872	5172	6267	17410	9236	13370						
CL-130-585-S3	16402	8093	10472										17796	8739	11214

# Output torque - Spring return actuators



Model	Output torque (Nm)														
	Spring			3Bar			4 Bar			5 Bar			6 Bar		
	0°	45°	90°	90°	45°	0°	90°	45°	0°	90°	45°	0°	90°	45°	0°
CL-130-635-S3	16397	8091	10468							17305	8434	10681			
CL-130-685-S3	16393	8088	10463				15386	7241	8596	21924	11305	15699			
CL-130-735-S3	16389	8085	10459	11828	5029	4730	19360	9711	12913						
CL-160-535-S1	16275	8880	13372										15834	8475	12437
CL-160-585-S1	16270	8876	13366							15764	8432	12361	21660	12096	18771
CL-160-635-S1	16265	8873	13360				14097	7396	10549	21052	11718	18110			
CL-160-685-S1	16260	8870	13355				18674	10240	15524	26774	15275	24331			
CL-160-735-S1	16255	8867	13349	14265	7500	10731	23598	13300	20877						
CL-160-785-S1	16249	8863	13344	18217	9956	15028									
CL-160-585-S2	18940	10209	15127										19870	10623	15563
CL-160-635-S2	18935	10206	15121							19262	10245	14902	26217	14567	22463
CL-160-685-S2	18929	10203	15116				16884	8767	12317	24984	13801	21123			
CL-160-735-S2	18924	10200	15110				21808	11827	17670	31140	17627	27816			
CL-160-785-S2	18919	10196	15104	16427	8483	11820	27078	15103	23400						
CL-160-635-S3	23942	12890	19068										22204	11601	16447
CL-160-685-S3	23937	12889	19062							20972	10835	15106	29072	15869	23913
CL-160-735-S3	23931	12884	19057				17795	8861	11653	27128	14661	21799			
CL-160-785-S3	23926	12880	19051				23066	12136	17383	33718	18756	28963			
CL-200-635-S1	31409	16372	23055										29165	14644	19460
CL-200-685-S1	31403	16368	23047							27625	13686	17788	37884	20065	28918
CL-200-735-S1	31396	16364	23040				23616	11194	13440	35440	18546	26267			
CL-200-785-S1	31390	16360	23033				30308	15355	20699	43806	23748	35343			
CL-200-835-S1	31383	16356	23026	22157	10287	11857	37440	19789	28437						
CL-200-885-S1	31376	16351	23019	27835	13817	18017	45013	24498	36652						
CL-200-785-S2	45558	22967	30719										49474	24838	32998
CL-200-835-S2	45551	22963	30712							44893	21989	28027	60175	31492	44608
CL-200-885-S2	45545	22959	30704				37183	17195	19663	54360	27876	38299			
CL-200-935-S2	45538	22955	30697				45196	22178	28357	64378	34105	49168			
CL-200-985-S2	45532	22951	30690	32353	14192	14423	53650	27434	37528						



The contents of this catalogue are confidential and proprietary to Coreline, we reserve the right to change the specifications without any notice.

## WUXI CORELINE VALVE CO., LTD.

Add: No.210 Xinyuan Road, Ehu Industrial Park, 214116 Wuxi, P.R. China

Phone: +86 510 68870699

Fax : +86 510 80257770

Http : // www.coreline.dk

E-mail : mail@coreline-valve.cn